



**Parts List**  
**(ILLUSTRATED)**

**MODEL**  
**"1"**

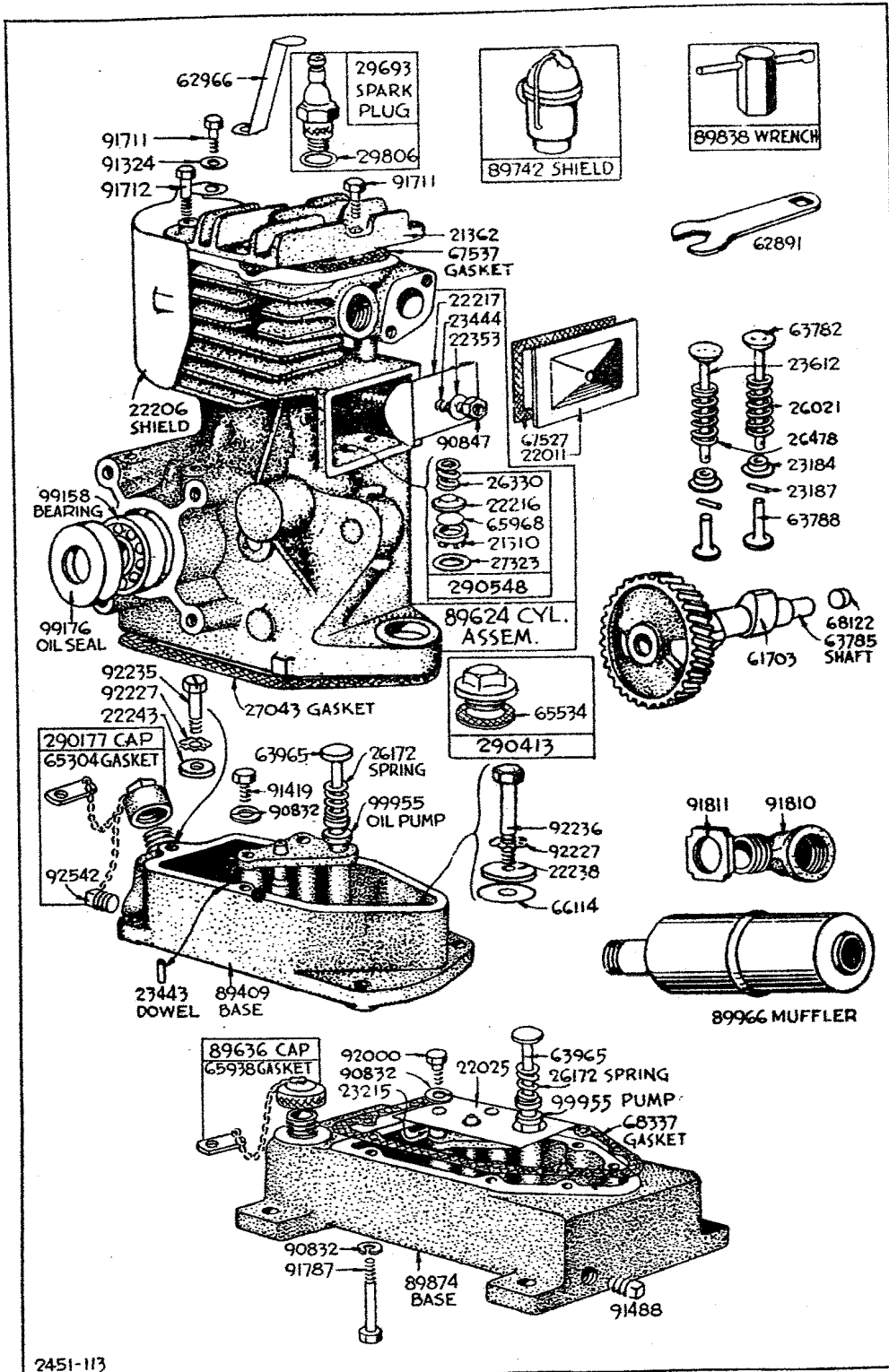
TYPE NUMBERS 206100 TO 206106  
AND 207450 TO 207451

•  
**NOTICE**

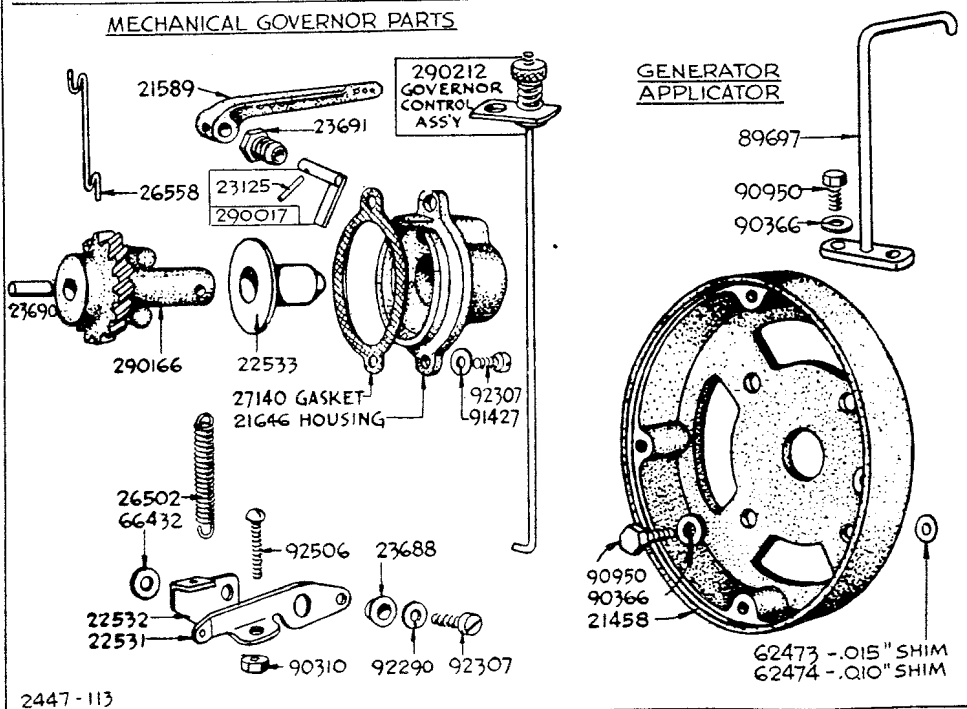
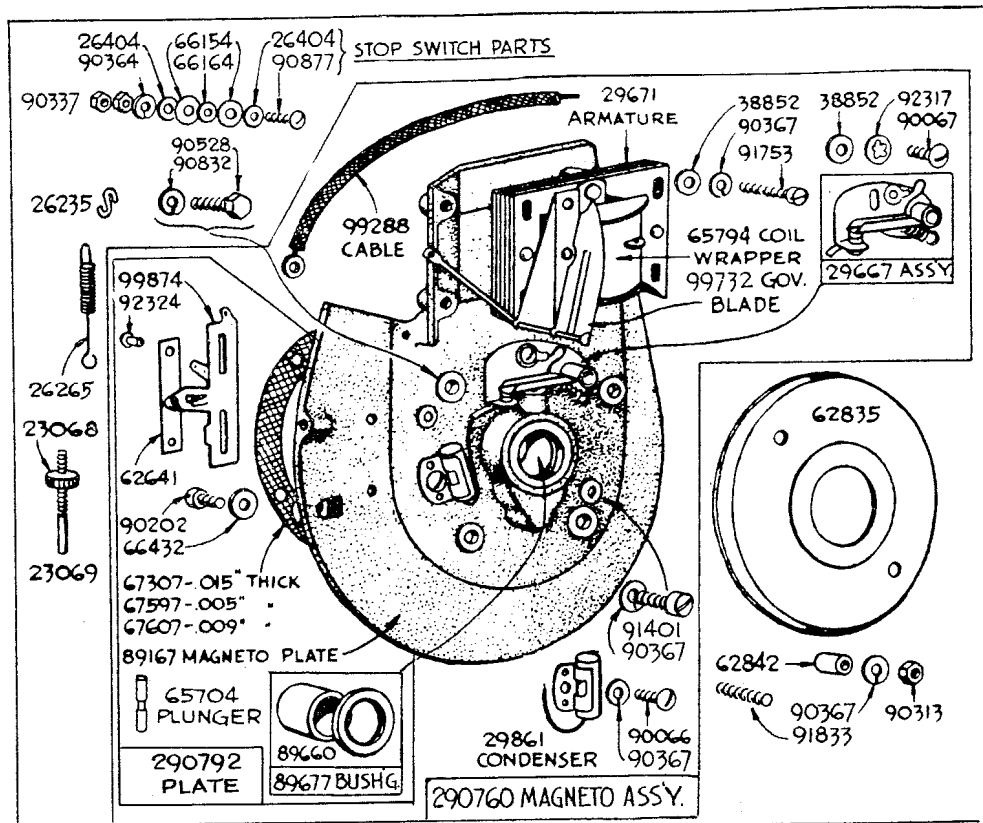
**FILE IN SECTION 2 OF YOUR ENGINE  
SERVICE MANUAL.**

**REMOVE AND DESTROY PRESENT  
MODEL "1" PARTS LIST SUPPLEMENT  
(Form MS-1847) FROM SECTION 2 OF MANUAL.**

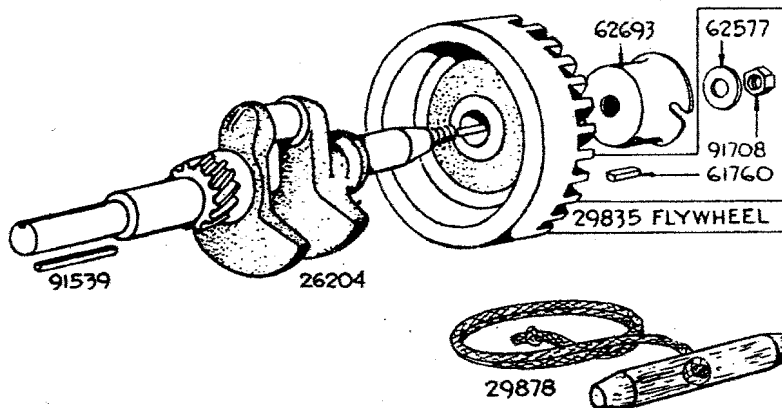
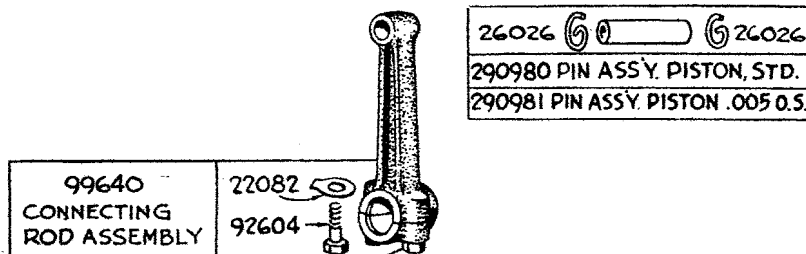
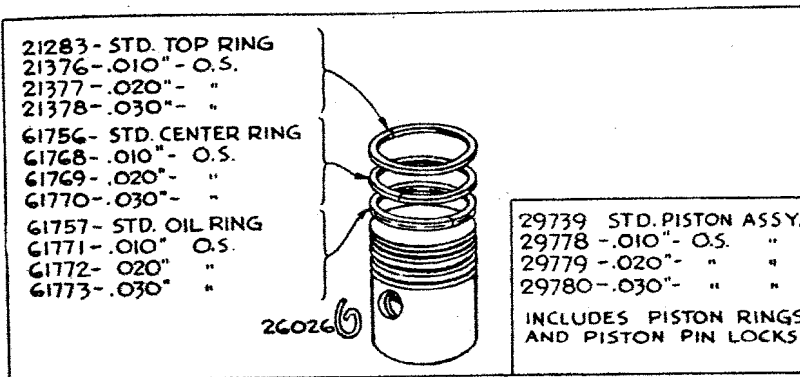




CYLINDER AND BASE PARTS — PLATE No. 28  
ASSEMBLIES INCLUDE ALL PARTS SHOWN IN FRAMES

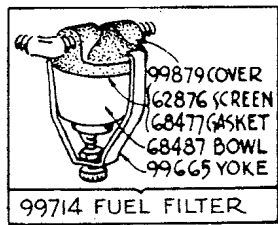
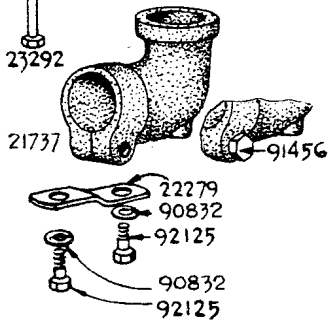
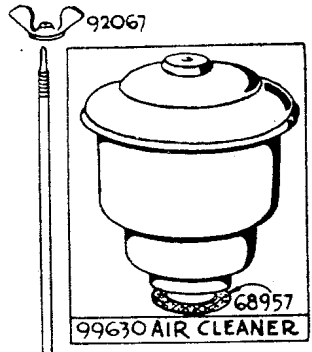
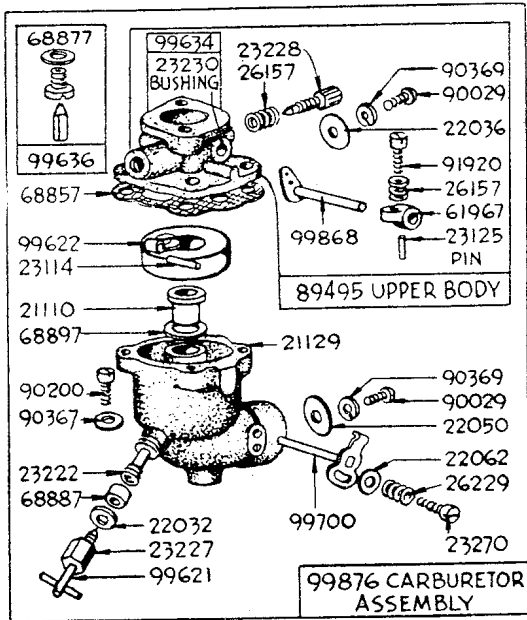
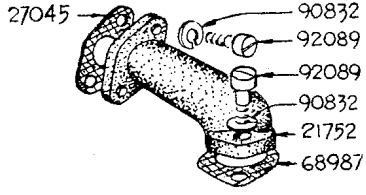


2447-113  
**MAGNETO, GOVERNOR, AND GENERATOR APPLICATION — PLATE No. 29**  
**ASSEMBLIES INCLUDE ALL PARTS SHOWN IN FRAMES**



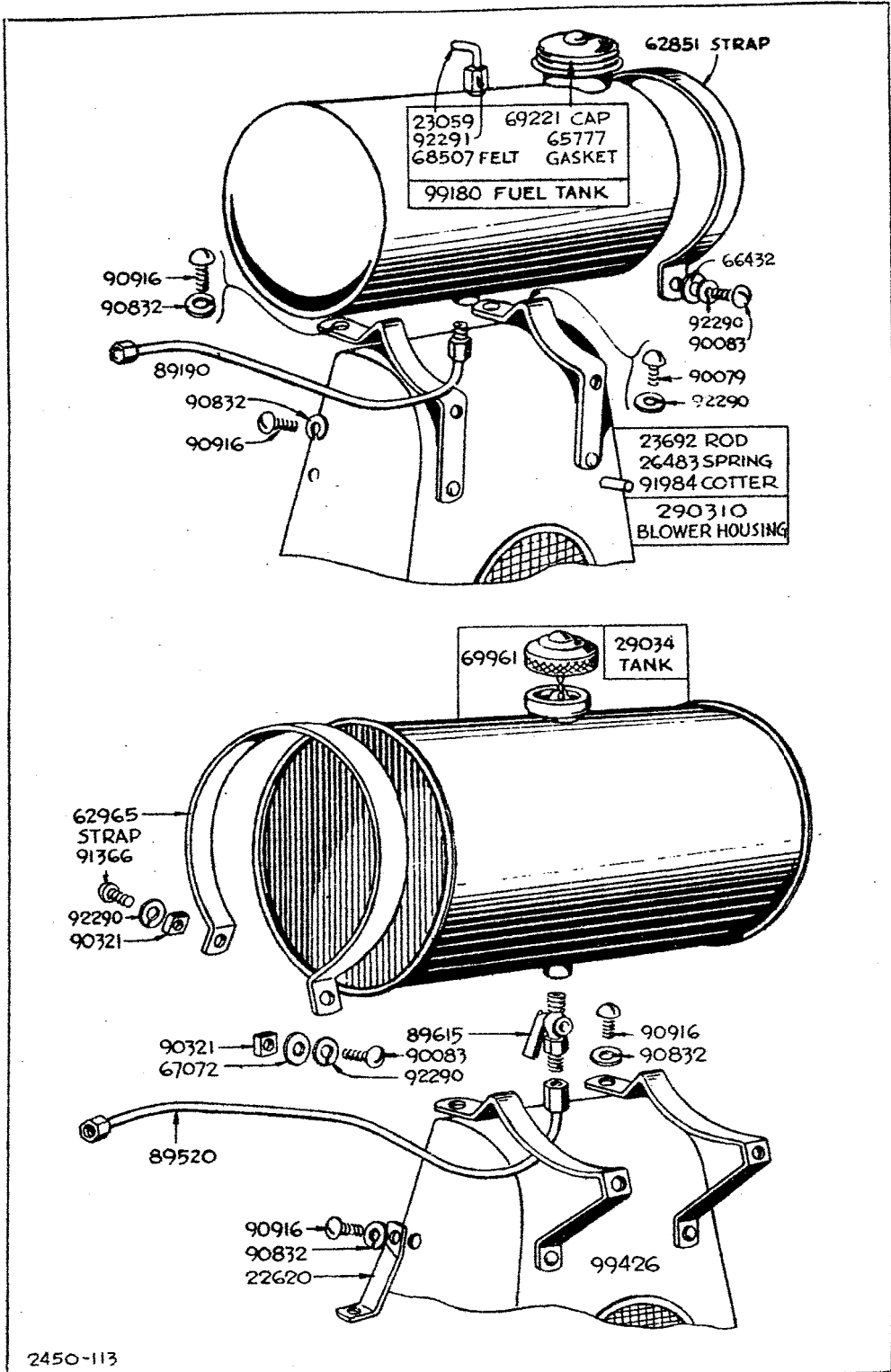


THIS BOOK COVERS TYPE NUMBERS 206100 TO 206106 AND 207450 TO 207451



2448-113

CARBURETOR, AIR CLEANER, AND FUEL FILTER — PLATE No. 31  
ASSEMBLIES INCLUDE ALL PARTS SHOWN IN FRAMES



GASOLINE TANKS — PLATE No. 32  
ASSEMBLIES INCLUDE ALL PARTS SHOWN IN FRAMES

# NUMERICAL PARTS LIST

MODEL "I"

TYPE NUMBERS 206100 TO 206106 AND 207450 TO 207451

MASTER PART NO.	NAME	MASTER PART NO.	NAME
21110	Carburetor Venturi .....	27323	Breather Body Gasket
21129	Lower Carburetor Body.....	29034	Gas Tank Assembly (One Gallon).....
21283	Top Compression Ring—Standard.....	29667	Contact Point Assembly.....
21310	Breather Body .....	29671	Magneto Armature .....
21362	Cylinder Head .....	29693	Spark Plug with Gasket.....
21376	Top Compression Ring—.010" Oversize.....	29739	Piston Assembly—Standard .....
21377	Top Compression Ring—.020" Oversize.....	29778	Piston Assembly—.010" Oversize.....
21378	Top Compression Ring—.030" Oversize.....	29779	Piston Assembly—.020" Oversize.....
21458	Generator End Plate.....	29780	Piston Assembly—.030" Oversize.....
21589	Governor Lever .....	29806	Spark Plug Gasket.....
21646	Governor Housing .....	29835	Magneto Flywheel .....
21737	Air Cleaner Elbow .....	29861	Condenser .....
21752	Carburetor Intake Elbow .....	29878	Starter Rope .....
22011	Valve Cover Plate.....		<i>Note: No. 290282 Rope.....</i>
22025	Oil Baffle Plate.....		<i>Used on type Nos. 206101, 206103, 206104, 206105.</i>
22032	Needle Valve Packing Washer.....	38852	Magneto Washer .....
22636	Carburetor Throttle Valve.....	61703	Cam Gear .....
22050	Carburetor Choke Valve.....	61756	Center Compression Ring—Standard.....
22062	Choke Lever Washer.....	61757	Oil Ring—Standard .....
22082	Connecting Rod Screw Head Lock.....	61760	Flywheel Key .....
22206	Cylinder Shield .....	61768	Center Compression Ring—.010" Oversize.....
22216	Breather Cover .....	61769	Center Compression Ring—.020" Oversize.....
22217	Oil Spray Shield.....	61770	Center Compression Ring—.030" Oversize.....
22238	Cylinder Mounting Washer.....	61771	Oil Ring—.010" Oversize.....
22243	Cylinder Mounting Washer.....	61772	Oil Ring—.020" Oversize.....
22279	Elbow Brace .....	61773	Oil Ring—.030" Oversize.....
22353	Valve Cover Washer.....	61967	Throttle Stop .....
22531	Governor Control Lever.....	62473	Shim—.005" Thick.....
22532	Governor Lever Stop.....	62474	Shim—.010" Thick.....
22533	Governor Cup .....	62577	Flywheel Washer .....
22620	Carburetor Brace .....	62641	Speed Adjuster Plate.....
23059	Gas Shut-off Lever.....	62693	Rope Starter Pulley.....
23068	Speed Adjusting Nut.....	62835	Magneto Dust Cover.....
23069	Speed Adjusting Screw.....	62842	Dust Cover Spacer.....
23114	Float Hinge Pin.....	62851	Gas Tank Strap.....
23125	Throttle Stop Pin.....	62876	Gas Filter Screen.....
23184	Valve Spring Retainer.....	62891	Spark Plug Wrench.....
23187	Valve Retainer Pin.....	62965	Gas Tank Strap.....
23215	Baffle Plate Spacer.....	62966	Stop Switch .....
23222	Carburetor Nozzle .....	63782	Intake Valve .....
23227	Needle Valve Packing Nut.....	63785	Cam Shaft .....
23228	Idle Valve .....	63788	Valve Tappet .....
23230	Carburetor Bushing .....	63965	Oil Pump Plunger.....
23270	Choke Lever Screw.....	65304	Filler Cap Gasket.....
23292	Air Cleaner Bolt.....	65534	Oil Filler Cap Gasket.....
23443	Dowel Pin .....	65704	Contact Point Plunger.....
23444	Valve Cover Stud.....	65777	Gas Tank Cap Gasket.....
23612	Exhaust Valve .....	65794	Armature Wrapper .....
23688	Governor Bushing .....	65938	Oil Filler Cap Gasket.....
23690	Governor Gear Shaft .....	65968	Breather Disc .....
23691	Governor Crank Bushing.....	66114	Cylinder Mounting Washer .....
23692	Stop Switch Push Rod.....	66154	Stop Switch Washer.....
26021	Intake Valve Spring.....	66164	Stop Switch Washer.....
26026	Piston Pin Lock.....	66432	Washer .....
26157	Idle and Throttle Spring.....	67072	Tank Strap Washer.....
26172	Pump Plunger Spring.....	67307	Magneto Plate Gasket—.015" thick.....
26204	Crankshaft .....	67527	Valve Cover Gasket.....
	<i>Note: No. 26115 Crankshaft.....</i>	67537	Cylinder Head Gasket.....
	<i>Used on type Nos. 206101, 206102, 206103, 206104, 206105.</i>	67597	Magneto Plate Gasket—.005" thick.....
26229	Choke Lever Spring.....	67607	Magneto Plate Gasket—.009" thick.....
26235	Governor Link .....	68122	Camshaft Plug .....
26265	Governor Spring .....	68337	Base Gasket .....
26330	Breather Spring .....	68477	Gas Filter Gasket.....
26404	Stop Switch Washer.....	68487	Gas Filter Bowl.....
26478	Exhaust Valve Spring.....	68507	Felt Washer .....
26483	Push Rod Spring.....	68857	Carburetor Body Gasket.....
26502	Governor Spring .....	68877	Carburetor Valve Seat Gasket.....
26558	Governor Link .....	68887	Needle Valve Packing.....
27043	Base Gasket .....	68897	Carburetor Venturi Gasket.....
27045	Intake Elbow Gasket .....	68957	Air Cleaner Gasket.....
27140	Governor Housing Gasket.....	68987	Carburetor Mounting Gasket.....
		69221	Gas Tank Cap .....
		69961	Gas Tank Cap.....

THIS BOOK COVERS TYPE NUMBERS 206100 TO 206106 AND 207450 TO 207451

MASTER PART No.	NAME
89180	Gasoline Line—13" long.....
89409	Base (Cast Iron).....
89495	Upper Carburetor Body Assembly.....
89520	Gasoline Line—13" long.....
89616	Gas Shutoff Valve.....
89624	Cylinder Assembly Note: No. 290170 Cylinder Assembly..... For Mechanical Governor on type Nos. 206100, 206101, 206102, 206103, 206104, 206105. Includes: No. 23690 Governor Gear Shaft.....
89660	Oil Seal.....
89677	Magneto Bearing and Oil Seal.....
89697	Carrying Handle.....
89742	Spark Plug Shield.....
89838	Spark Plug Wrench.....
89874	Base (Cast Iron).....
89966	Muffler Assembly Note: No. 89945 Muffler Assembly..... Used on type Nos. 206101, 206102, 206103, 206104, 206105
90029	Screw—4-36x $\frac{1}{4}$ " Rd. Hd.....
90066	Screw—8-32x $\frac{1}{4}$ " Rd. Hd.....
90067	Screw—8-32x $\frac{5}{16}$ " Rd. Hd.....
90079	Screw—10-32x $\frac{3}{8}$ " Rd. Hd.....
90083	Screw—10-32x $\frac{5}{8}$ " Rd. Hd.....
90200	Screw—8-32x $\frac{1}{2}$ " Fill. Hd.....
90202	Screw—10-32x $\frac{1}{2}$ " Fill. Hd.....
90310	Governor Lever Stop Nut.....
90313	Dust Cover Nut—8-32 Hex.....
90321	Tank Strap Nut.....
90337	Stop Switch Nut.....
90364	Lockwasher—No. 8 x 3/64 x $\frac{1}{2}$ "
90366	Lockwasher— $\frac{1}{8}$ "
90367	Lockwasher—No. 8 x 5/64 x $\frac{1}{2}$ "
90369	Lockwasher— $\frac{1}{8}$ "
90528	Magneto Mounting Screw
90832	Lockwasher— $\frac{1}{4}$ " Standard
90847	Valve Cover Nut.....
90877	Screw—8-32x $\frac{3}{8}$ " Rd. Hd., Brass.....
90916	Screw— $\frac{1}{4}$ -20x $\frac{1}{2}$ " Rd. Hd.....
90950	Screw— $\frac{5}{16}$ -24x $\frac{3}{4}$ " Hex. Hd.....
91324	Cylinder Head Washer.....
91366	Screw—Std. Hd. Machine, 10-32 x $\frac{7}{8}$ "
91410	Screw— $\frac{1}{4}$ -20x $\frac{5}{8}$ " Hex. Hd.....
91456	Screw— $\frac{1}{4}$ -20x1" Hex. Hd.....
91488	Oil Drain Plug.....
91708	Flywheel Nut.....
91711	Screw— $\frac{5}{8}$ -18x1" Hex. Hd.....
91712	Screw— $\frac{5}{8}$ -18x $\frac{1}{4}$ " Hex. Hd.....
91753	Screw—8-32x1" Fill. Hd.....
91787	Screw— $\frac{1}{4}$ -28x2" Hex. Hd.....
91810	Exhaust Elbow—45° Note: No. 92478 Exhaust Elbow—90°..... No. 91061 Exhaust Nipple..... Used on type Nos. 206101, 206102, 206103, 206104, 206105.
91811	Muffler Elbow Locknut.....
91833	Dust Cover Stud.....
91920	Screw—8-32x $\frac{5}{8}$ " Fill. Hd.....
91984	Cotter Pin.....
92000	Screw— $\frac{1}{4}$ -28x1 $\frac{1}{4}$ " Hex. Hd.....
92067	Air Cleaner Wing Nut.....
92089	Screw— $\frac{1}{4}$ -20x $\frac{3}{4}$ " Fill. Hd.....
92125	Screw— $\frac{1}{4}$ -20x $\frac{1}{2}$ " Hex. Hd.....
92227	Lockwasher—Shakeproof
92235	Screw— $\frac{3}{8}$ -24x1 $\frac{1}{4}$ " Hex. Hd.....
92236	Screw— $\frac{3}{8}$ -24x2" Hex. Hd.....
92290	Lockwasher—No. 10 x $\frac{1}{8}$ x 3/64"
92291	Gas Shutoff Nut.....
92307	Screw—10-32x $\frac{5}{8}$ " Fill. Hd.....
92317	Lockwasher—Shakeproof
92324	Rivet—Tubular— $\frac{1}{8}$ x $\frac{1}{2}$ "
92506	Governor Lever Stop Screw.....
92542	Oil Drain Plug.....
92604	Connecting Rod Screw

MASTER PART No.	NAME
99158	Ball Bearing.....
99176	Oil Seal.....
99180	Gas Tank Assembly Note: No. 290341 Gas Tank Assembly Used on type Nos. 206103, 206101, 206105.
99288	Ignition Cable..... Note: No. 99391 Cable..... Used on type Nos. 206101, 206102, 206103, 206104, 206105
99426	Blower Housing..... Note: No. 290246 Blower and Stop Switch..... Used on type No. 206102.
99621	Needle Valve.....
99622	Carburetor Float.....
99630	Air Cleaner Assembly.....
99634	Upper Carburetor Body.....
99636	Inlet Valve and Seat.....
99640	Connecting Rod Assembly.....
99665	Gas Filter Yoke.....
99700	Choke Shaft and Lever.....
99714	Gas Filter Assembly.....
99732	Governor Blade.....
99868	Throttle Shaft Assembly.....
99874	Speed Adjuster.....
99876	Carburetor Assembly.....
99870	Gas Filter Cover.....
99955	Oil Pump Assembly.....
290017	Governor Crank..... Includes: No. 23125 Pin.
290166	Governor Gear Assembly.....
290177	Oil Filler Cap and Plug Assembly.....
290212	Governor Control Assembly.....
290310	Blower Housing and Stop Switch..... Note: No. 290027 Blower Housing and Stop Switch... Used on type Nos. 206103, 206105. No. 290360 Blower Housing and Stop Switch..... Used on type No. 206104.
290413	Oil Filler Cap
290548	Breather Assembly
290760	Magneto Assembly Note: No. 290761 Magneto Assembly Used on type No. 206100. Includes: No. 62598 Air Guide No. 290886 Magneto Assembly Used on type Nos. 206101, 206102, 206103, 206104, 206105. Includes: {No. 62598 Air Guide {No. 290020 Ground Wire
290792	Magneto Plate
290980	Piston Pin—Standard
290981	Piston Pin—.605" O.S.