



Parts List
(ILLUSTRATED)

MODEL

"1"—"IPR-1.6"—"IPR-6"

TYPE NUMBERS FROM 303100 To 303750



NOTICE

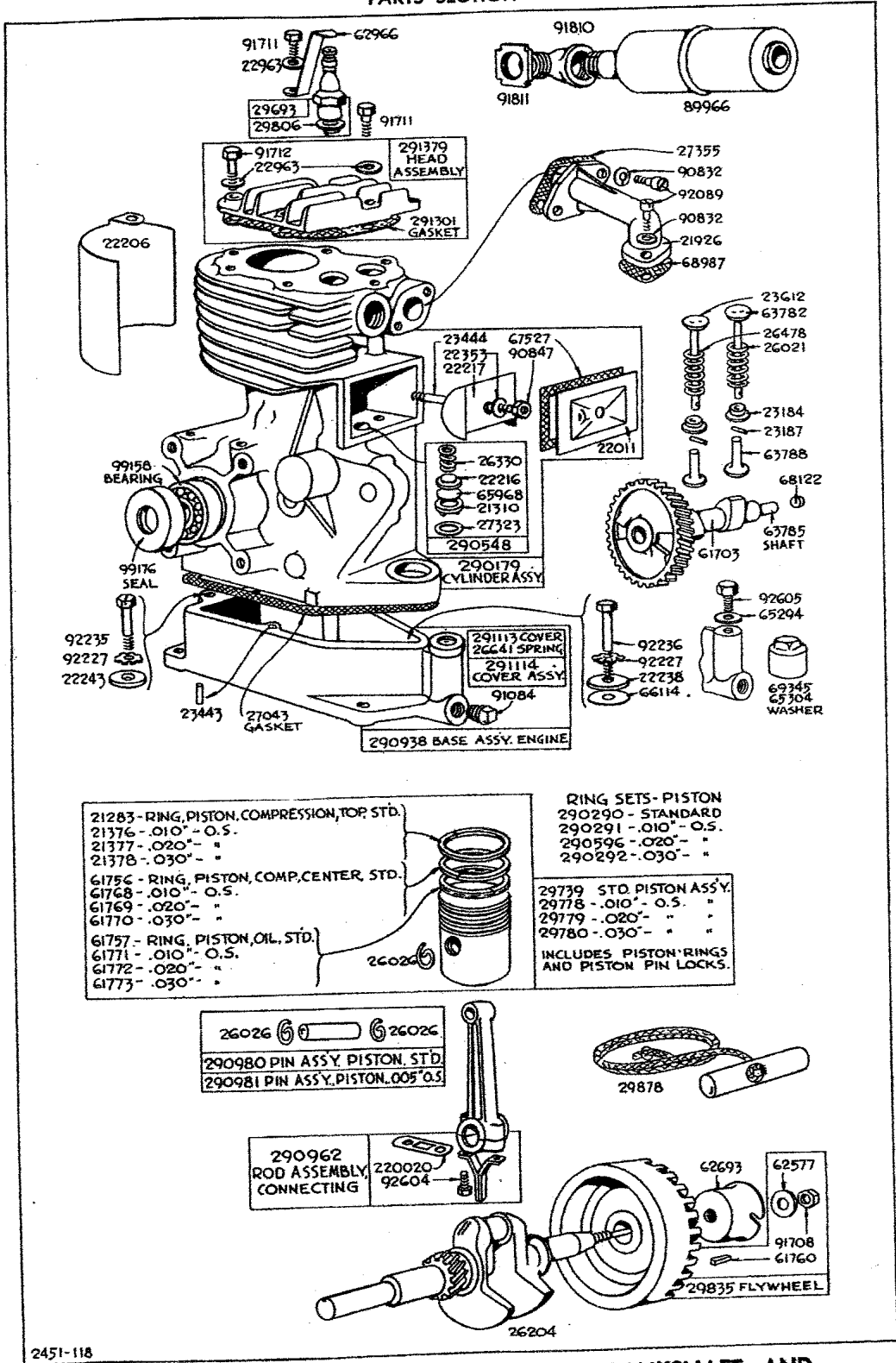
**FILE IN SECTION 2 OF YOUR ENGINE
SERVICE MANUAL.**

**REMOVE AND DESTROY PRESENT
MODEL "1" PARTS LIST SUPPLEMENT
(Form MS-3129) FROM SECTION 2 OF MANUAL.**



TYPE NUMBERS FROM 303100 TO 303750

PARTS SECTION



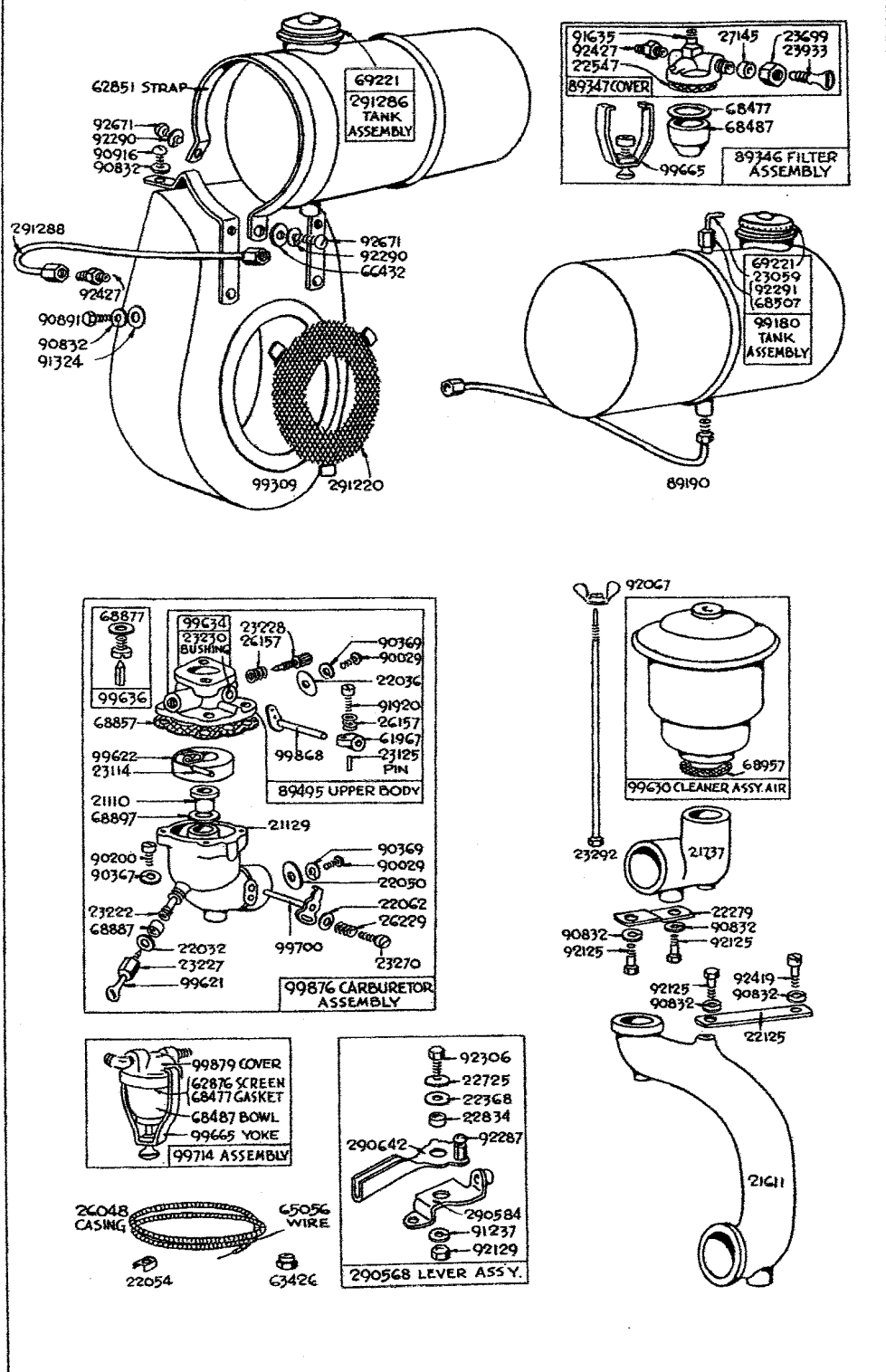
2451-118

CYLINDER, PISTON, CONNECTING ROD, CRANKSHAFT, AND FLYWHEEL PARTS—PLATE NO. 23
 Assemblies include all parts shown in frames

TYPE NUMBERS FROM 303100 TO 303750



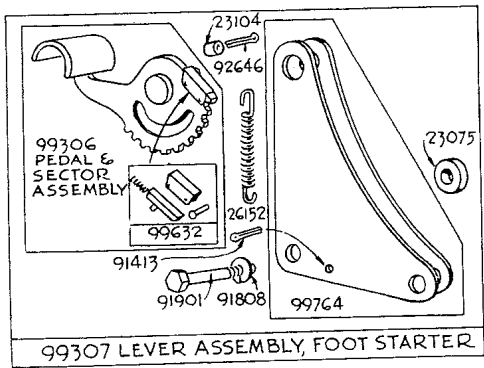
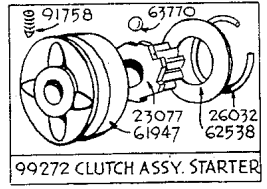
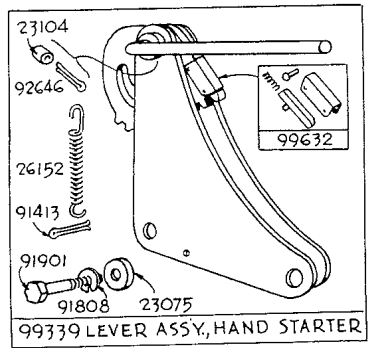
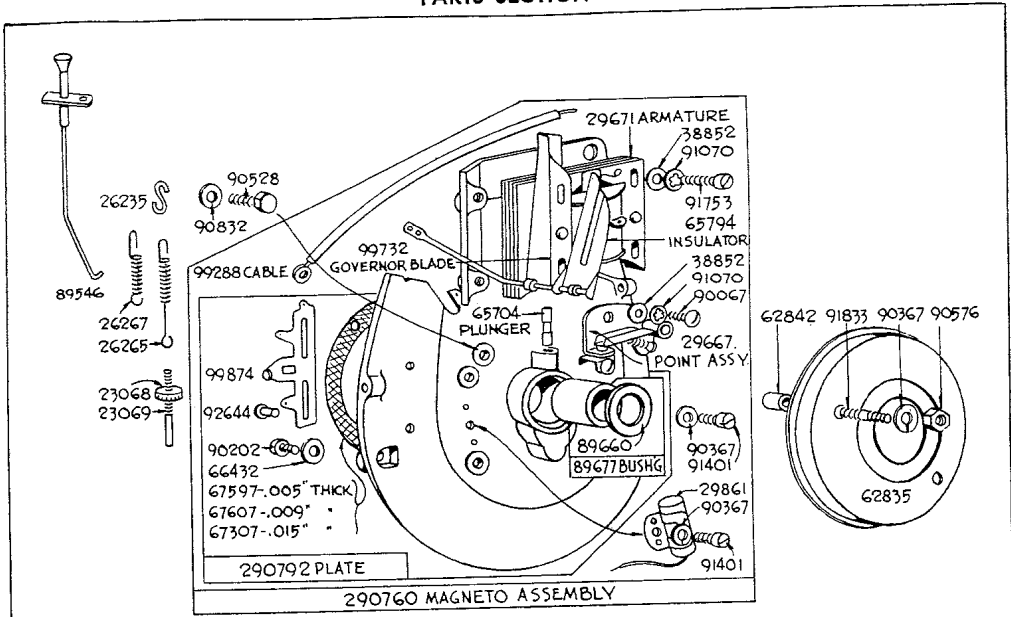
PARTS SECTION



2448-118

FUEL SYSTEM AND BLOWER HOUSING PARTS—PLATE NO. 24
Assemblies include all parts shown in frames

PARTS SECTION

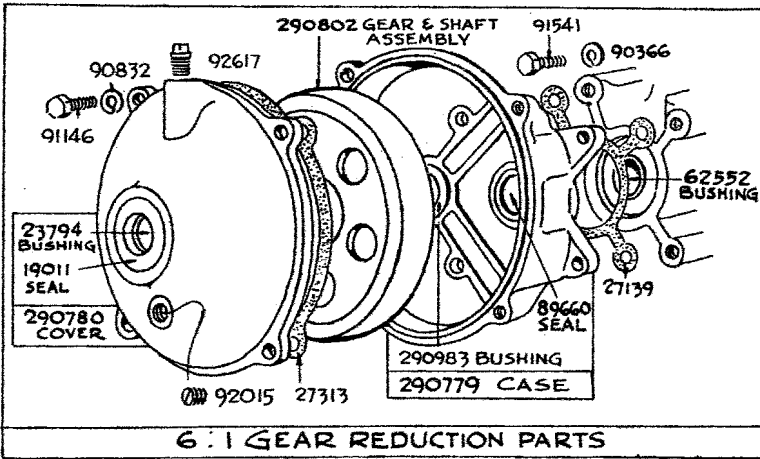


2447-118

MAGNETO AND STARTER PARTS—PLATE NO. 25
Assemblies include all parts shown in frames



PARTS SECTION



2504-126

GEAR REDUCTION PARTS—PLATE NO. 26
Assemblies include all parts shown in frames

PARTS SECTION

NUMERICAL PARTS LIST

MASTER PART NO.	NAME	SHIPPING WEIGHT	
		Lbs.	Oz.
19011	Seal—Oil		2
21110	Venturi—Carburetor		1
21129	Body—Lower Carburetor		6
21283	Ring—Piston, Compression Top—Standard.....		1
21310	Body—Breather		1
21362	Head—Cylinder	2	
21376	Ring—Piston, Compression Top—.010" O.S.....		1
21377	Ring—Piston, Compression Top—.020" O.S.....		1
21378	Ring—Piston, Compression Top—.030" O.S.....		1
21611	Elbow—Air Cleaner		12
21737	Elbow—Air Cleaner		6
21926	Elbow—Carburetor Intake		6
22011	Cover—Valve		6
22032	Washer—Needle Valve Packing.....		1
22036	Valve—Throttle		1
22050	Valve—Choke		1
22054	Clamp—Control Wire Casing.....		1
22062	Washer—Choke Lever		1
22125	Brace—Air Cleaner Elbow.....		1
22206	Shield—Cylinder		6
22216	Cover—Breather		1
22217	Shield—Oil Spray		1
22238	Washer—Cylinder Mounting		1
22243	Washer—Cylinder Mounting		1
22279	Brace—Air Cleaner Elbow.....		1
*22353	Washer—Valve Cover		1
22368	Washer—Control Lever		1
22547	Screen—Fuel Filter		1
22725	Washer—Control Lever		1
22834	Washer—Spacer		1
22963	Washer—Cylinder Head		1
	Note: No. 91324 Washer— $\frac{1}{4}$ " Standard.....		1
	Used to mount stop switch to cylinder head on engines before Serial No. 138484.		
23059	Lever—Fuel Shut-off		2
23068	Nut—Speed Adjusting		1
23069	Screw—Speed Adjusting		1
23075	Spacer—Foot Pedal Support.....		1
23077	Pinion—Starter		4
23104	Spacer—Foot Pedal Support.....		1
23114	Pin—Float Hinge		1
23125	Pin—Throttle Stop		1
23184	Retainer—Valve Spring		1
23187	Pin—Valve Spring Retainer.....		1
23222	Nozzle—Carburetor		1
23227	Nut—Needle Valve Packing.....		1
23228	Valve—Carburetor Idle		1
23230	Bushing—Throttle Shaft		1
23270	Screw—Choke Lever		1
23292	Bolt—Air Cleaner— $6\frac{1}{8}$ " long.....		2
	Note: No. 23334 Stud—Air Cleaner—6" long.....		1
	No. 90355 Nut—Hex.—10-32		1
	No. 92290 Lockwasher—No. 10x $\frac{1}{8}$ x3/64"		1
	Used on type Nos. 303104, 303300, 303700.		
23443	Pin—Dowel		1
23444	Stud—Valve Cover		1
23612	Valve—Exhaust		2

* Included in Gasket Set — Part No. 291376

PARTS SECTION

MASTER PART NO.	NAME	SHIPPING WEIGHT Lbs. Oz.
23699	Nut—Fuel Shut-off Lever.....	1
23933	Lever—Fuel Shut-off	2
26021	Spring—Intake Valve	1
26026	Lock—Piston Pin	1
26032	Spring—Clutch Retainer	1
26048	Casing—Control Wire—38" long.....	1
	<i>Note:</i> If a longer casing is needed, specify length in inches; if a shorter casing is needed order No. 26048 and cut to required length.	
26152	Spring—Pedal and Lever Return.....	1
26167	Spring—Idler Valve and Throttle Adjustment.....	1
26204	Crankshaft	3
	<i>Note:</i> No. 26115 Crankshaft.....	3
	Used on type No. 303102.	
	No. 26126 Crankshaft.....	3
	Used on type No. 303101.	
	No. 26149 Crankshaft.....	3
	Used on type No. 303101.	
	No. 26162 Crankshaft.....	3
	Used on type No. 303103.	
	No. 26234 Crankshaft.....	3
	Used on type Nos. 303300, 303304.	
	No. 26618 Crankshaft.....	3
	Used on type Nos. 303600, 303601, 303602, 303603, 303605.	
	No. 26622 Crankshaft.....	3
	Used on type Nos. 303700, 303701, 303702, 303703, 303704, 303705, 303706, 303707.	
26229	Spring—Choke Lever	1
26235	Link—Throttle	1
26265	Spring—Governor	1
26267	Spring—Control Wire Return.....	1
26330	Spring—Breather Retainer	1
26478	Spring—Exhaust Valve	1
26641	Spring—Oil Hole Cover.....	1
*27043	Gasket—Engine Base	1
27139	Gasket—Gear Case Mounting.....	1
27145	Packing—Fuel Shut-off Lever.....	1
27313	Gasket—Gear Case Cover.....	1
27323	Gasket—Breather Body	1
27355	Gasket—Intake Elbow Mounting	2
29007	Breaker Assembly—Ignition.....	2
29071	Armature—Magneto	2
29693	Plug—Spark—with Gasket	8
29739	Piston Assembly—Standard	8
29778	Piston Assembly—.010" O.S.....	8
29779	Piston Assembly—.020" O.S.....	8
29780	Piston Assembly—.030" O.S.....	1
29806	Gasket—Spark Plug	6
29835	Flywheel—Magneto	2
29861	Condenser	6
29878	Rope—Starter	1
38852	Washer—Armature	1
61703	Gear—Cam	8
61756	Ring—Piston, Compression, Center—Standard.....	1
61757	Ring—Piston, Oil—Standard	1
61760	Key—Flywheel	1
61768	Ring—Piston, Compression, Center—.010" O.S.....	1
61769	Ring—Piston, Compression, Center—.020" O.S.....	1

* Included in Gasket Set -- Part No. 291376

PARTS SECTION

MASTER PART NO.	NAME	SHIPPING WEIGHT Lbs. Oz.
61770	Ring—Piston, Compression, Center—.030" O.S.....	1
61771	Ring—Piston, Oil—.010" O.S.....	1
61772	Ring—Piston, Oil—.020" O.S.....	1
61773	Ring—Piston, Oil—.030" O.S.....	1
61947	Housing—Starter Clutch	10
61967	Stop—Throttle Lever	1
62538	Washer—Clutch Retainer	1
62552	Bushing—Cylinder	2
62577	Washer—Flywheel	1
	<i>Note: No. 62903 Washer—Flywheel.....</i>	1
	Used on type Nos. 303300, 303304, 303700, 303701, 303702, 303703, 303704, 303705, 303706, 303707.	
62693	Pulley—Rope Starter	6
62835	Cover—Dust	4
62842	Spacer—Dust Cover	1
62851	Strap—Fuel Tank	3
62876	Screen—Fuel Filter	1
62966	Switch—Stop	2
63426	Locknut—Control Wire Casing.....	1
63770	Ball—Clutch	1
63782	Valve—Intake	2
63785	Shaft—Cam	3
63788	Tappet—Valve	1
65056	Wire—Control—43½" long	6
	<i>Note: If a longer wire is needed, specify length in inches; If a shorter wire is needed order No. 65056 and cut to required length.</i>	
65294	Washer—Filler Screw	1
65304	Washer—Filler Cap	1
65704	Plunger—Breaker Point.....	1
65794	Insulator—Armature	1
65968	Disk—Breather	1
*66114	Washer—Cylinder Mounting	1
66432	Washer—Speed Adjuster Retainer and Fuel Tank Mounting	1
*67307	Gasket—Magneto Plate—.015" thick	1
*67527	Gasket—Valve Cover	1
*67537	Gasket—Cylinder Head	1
*67597	Gasket—Magneto Plate—.005" thick	1
*67607	Gasket—Magneto Plate—.009" thick	1
68122	Plug—Cam Shaft	1
*68477	Gasket—Fuel Filter Bowl	1
68487	Bowl—Fuel Filter	2
68507	Washer—Shut-off Valve Packing.....	1
68857	Gasket—Carburetor Body	1
68877	Gasket—Fuel Inlet Valve Seat.....	1
68887	Packing—Needle Valve	1
68897	Gasket—Carburetor Venturi	1
*68957	Gasket—Air Cleaner Mounting	1
*68987	Gasket—Carburetor Mounting	1
69221	Cap—Fuel Tank	2
69345	Cap—Oil Filler	2
89190	Pipe Assembly—Fuel—13" long (used on engines before Serial No. 135161)	3
	<i>Note: No. 89663 Pipe—Fuel—11½" long.....</i>	3
	Used on type No. 303601.	
89346	Filter Assembly—Fuel (Used only under fuel tank).....	10
89347	Cover—Fuel Filter	3
89495	Body Assembly—Upper Carburetor.....	4
89546	Control Assembly—Throttle	6
89660	Seal—Oil	1
89677	Bushing—Cylinder or Magneto.....	3
	Includes: No. 89660 Seal—Oil.	

* Included in Gasket Set — Part No. 291376



PARTS SECTION

MASTER PART NO.	NAME	SHIPPING WEIGHT Lbs. Oz.
89966	Muffler	8
89976	Seal—Oil	8
90020	Screw—Machine, Round Hd.—4-36x $\frac{1}{4}$ "	1
90037	Screw—Machine, Round Hd.—8-32x $\frac{1}{8}$ "	1
90079	Screw—Machine, Round Hd.—10-32x $\frac{3}{8}$ "	1
90088	Screw—Machine, Round Hd.—10-32x $\frac{5}{8}$ "	1
90200	Screw—Machine, Fill. Hd.—8-32x $\frac{1}{2}$ "	1
90202	Screw—Machine, Fill. Hd.—10-32x $\frac{1}{2}$ "	1
90366	Lockwasher— $\frac{1}{8}$ x $\frac{1}{2}$ x $\frac{1}{8}$ "	1
90367	Lockwasher—No. 8x5/64x $\frac{1}{2}$ "	1
90369	Lockwasher—No. 4x3/64x $\frac{1}{2}$ "	1
90328	Screw—Magneto Mounting	1
90576	Nut—Hex—8-32	1
90832	Lockwasher— $\frac{1}{4}$ x $\frac{1}{2}$ x5/64"	1
90847	Nut—Hex.— $\frac{1}{4}$ -28	1
90801	Screw—Cap, Hex. Hd.— $\frac{1}{4}$ -20x $\frac{1}{2}$ "	1
90916	Screw—Machine, Round Hd.— $\frac{1}{4}$ -20x $\frac{1}{2}$ "	1
91070	Lockwasher—Shakeproof No. 1208	1
91084	Plug—Pipe— $\frac{3}{8}$ "	1
91146	Screw—Cap, Hex. Hd.— $\frac{1}{4}$ -20x $\frac{7}{8}$ "	1
91237	Lockwasher— $\frac{3}{4}$ x $\frac{3}{8}$ x3/64"	1
91324	Washer— $\frac{1}{4}$ " Standard	1
91401	Screw—Machine, Fill. Hd.—8-32x $\frac{1}{4}$ "	1
91418	Pin—Cotter— $\frac{1}{8}$ x1" long	1
91449	Screw—Cylinder Head (long)	1
91541	Screw—Cap, Hex. Hd.— $\frac{1}{8}$ -24x $\frac{7}{8}$ "	1
91708	Nut—Flywheel	1
	Note: No. 91900 Nut—Flywheel	1
	Used on type Nos. 303300, 303304, 303700, 303701, 303702, 303703, 303704, 303705, 303706, 303707.	
91711	Screw—Cylinder Head (1" long)	1
	Note: No. 63337 Spacer	1
	No. 68873 Spacer	1
	No. 91203 Screw—Cylinder Head (1 $\frac{1}{4}$ " long)	1
	Used to mount cylinder head on blower housing side on type No. 303702.	
91712	Screw—Cylinder Head (1 $\frac{1}{4}$ " long)	1
	Note: No. 91449 Screw—Cylinder Head (1 $\frac{1}{2}$ " long)	1
	Used on engines before serial No. 133484.	
91753	Screw—Machine, Fill. Hd.—8-32x1"	1
91758	Screw—Set, Socket Hd.— $\frac{1}{8}$ -24x $\frac{1}{2}$ "	1
91808	Lockwasher— $\frac{1}{8}$ x $\frac{1}{8}$ x $\frac{1}{2}$ "	1
91810	Elbow—Exhaust	3
	Note: No. 91812 Elbow—Exhaust	3
	Used on type No. 303707.	
91811	Locknut—Exhaust Elbow	2
91896	Key—No. 5 Standard Woodruff	1
91901	Screw—Cap, Hex. Hd.— $\frac{1}{8}$ -20x1 $\frac{1}{2}$ "	1
91920	Screw—Machine, Fill. Hd.—8-32x $\frac{5}{8}$ "	1
92015	Plug—Oil Drain (Gear Cover)	1
92067	Nut—Wing	1
92089	Screw—Machine, Fill. Hd.— $\frac{1}{4}$ -20x $\frac{3}{4}$ "	1
92125	Screw—Cap, Hex. Hd.— $\frac{1}{4}$ -20x $\frac{1}{2}$ "	1
92129	Nut—Hex.— $\frac{1}{4}$ -28	1
92227	Lockwasher—Shakeproof No. 1120	1
92235	Screw—Cylinder Mounting	1
92236	Screw—Cylinder Mounting	1
92287	Screw—Machine, Round Hd.—10-32x $\frac{1}{4}$ "	1
92290	Lockwasher—No. 10x $\frac{1}{8}$ x3/64"	1
92291	Nut—Fuel Shut-off Valve Packing	1
92306	Screw—Cap, Hex. Hd.— $\frac{1}{4}$ -28x $\frac{5}{8}$ "	1

PARTS SECTION

MASTER PART NO.	NAME	SHIPPING WEIGHT Lbs. Oz.
92419	Screw—Machine, Fill. Hd.— $\frac{1}{4}$ -20x $\frac{5}{8}$ "	1
92427	Connector—Fuel Pipe	1
92604	Screw—Connecting Rod	1
92605	Screw—Oil Filler	1
92617	Plug—Breather	2
92644	Rivet—Tubular— $\frac{1}{8}$ x $\frac{1}{4}$ "	1
	<i>Note: No. 92324 Rivet—Tubular—$\frac{1}{8}$x$\frac{3}{8}$"</i>	
	<i>No. 62641 Plate—Speed Adjuster</i>	
	<i>Used on engines before serial No. 135160.</i>	
92646	Pin—Cotter— $\frac{1}{8}$ x1 $\frac{1}{2}$ "	1
92671	Screw—Self Tapping, Rd. Hd.—10-32x $\frac{1}{2}$ "	1
99158	Bearing—Ball	8
	<i>Note: No. 89677 Bushing—Cylinder</i>	3
	<i>Used on type No. 303104.</i>	
99176	Seal—Oil	6
99180	Tank Assembly—Fuel (used on engines before Serial No. 135161)	3
99272	Clutch Assembly—Starter	1
99288	Cable—Ignition	2
99306	Pedal and Sector Assembly—Foot Starter	1
99307	Pedal Assembly—Foot Starter	3
99309	Housing—Blower	2
	<i>Note: No. 89208 Housing—Blower</i>	2
	<i>Used on type No. 303601.</i>	
99339	Lever Assembly—Hand Starter	3
99621	Valve—Needle	3
99622	Float—Carburetor	2
99630	Cleaner Assembly—Air	1
99632	Tooth Assembly—Spring	1
99634	Body—Upper Carburetor	4
99636	Valve and Seat—Fuel Inlet	1
99665	Yoke—Fuel Filter	2
99700	Shaft and Lever—Choke	2
99714	Filter Assembly—Fuel (Used only at carburetor)	2
99732	Blade Assembly—Governor	6
99764	Support Assembly—Foot Pedal	1 8
99868	Shaft and Lever Assembly—Throttle	1
99874	Adjuster—Speed	1
99876	Carburetor Assembly	1
99879	Cover—Fuel—Filter	6
220020	Lock—Connecting Rod Screw	1
290179	Cylinder Assembly	13
	<i>Note: No. 290959 Cylinder Assembly</i>	13
	<i>Used on type Nos. 303104, 303600, 303601, 303602, 303603, 303605, 303700, 303701, 303702, 303703, 303704, 303705, 303706, 303707.</i>	
290290	Ring Set—Standard Piston	3
290291	Ring Set—.010" O.S. Piston	3
290292	Ring Set—.030" O.S. Piston	3
290548	Breather Assembly	2
290568	Lever Assembly—Control	4
290584	Base—Control Lever	2
290596	Ring Set—.020" O.S. Piston	3
290642	Lever—Control	2
290760	Magneto Assembly	6
290779	Case Assembly—Gear	1 8
290780	Cover Assembly—Gear Case	1 4
290792	Plate—Magneto	2
290802	Gear and Shaft Assembly	3 8
290938	Base Assembly—Engine	6
	<i>Note: No. 290941 Base Assembly—Engine</i>	6
	<i>Used on type Nos. 303300, 303304, 303700, 303701, 303702, 303703, 303704, 303705, 303706, 303707.</i>	
	<i>(See following page)</i>	



PARTS SECTION

PART NO.	NAME	SHIPPING WEIGHT	
		Lbs.	Oz.
	No. 290946 Base Assembly.....	6	
	Used on type Nos. 303601, 303603.		
290962	Rod Assembly—Connecting	12	
290980	Pin Assembly—Piston—Standard	2	
290981	Pin Assembly—Piston—.005" O.S.....	2	
291113	Cover—Oil Hole	1	
291114	Cover—Oil Hole	2	
291220	Screen—Blower Housing	2	
	<i>Note: No. 291430</i> Screen—Blower Housing (Full Screen)....	2	
	Used on engines without starters on magneto side.		
291286	Tank Assembly—Fuel (used on engines after Serial No. 135160)	3	
291288	Pipe—Fuel—3 3/8" long (used on engines after Serial No. 135160)	3	
	<i>Note: No. 65859</i> Pipe—Fuel—15" long.....	4	
	Used on type No. 303603.		
*291301	Gasket—Cylinder Head (1/4" thick)	1	
	<i>*Note: No. 87537</i> Gasket—Cylinder Head (1/32" thick)	1	
	Used on engines before Serial No. 138484.		
291376	Gasket Set	4	
291379	Head Assembly—Cylinder	1	8

* Included in Gasket Set — Part No. 291376