

"WMB"

Parts List

(ILLUSTRATED)

MODEL

"WMB"

•

NOTICE

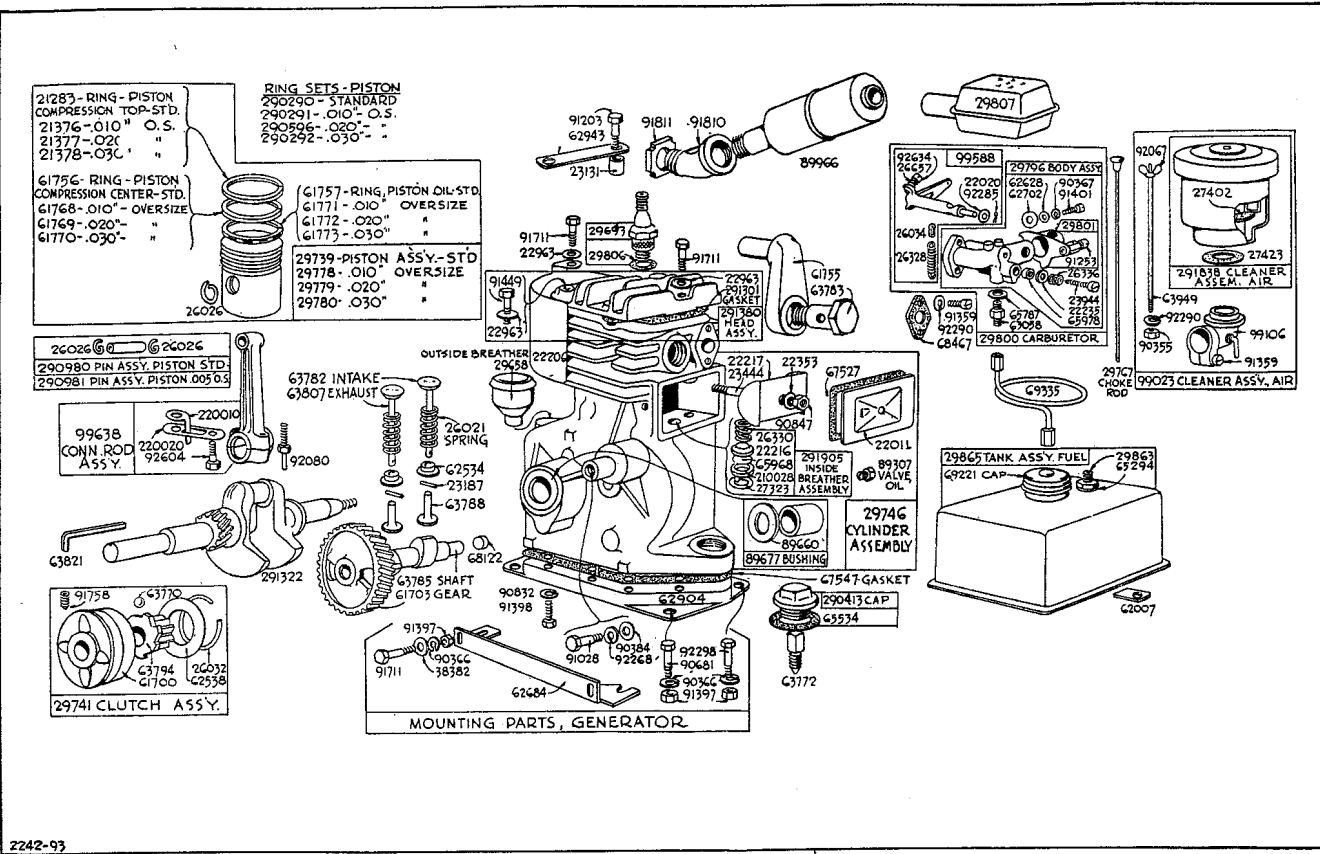
**FILE IN SECTION 2 OF YOUR ENGINE
SERVICE MANUAL.**

**REMOVE AND DESTROY PRESENT
MODEL "WMB" PARTS LIST (Form MS- 3480)
FROM SECTION 2 OF MANUAL.**

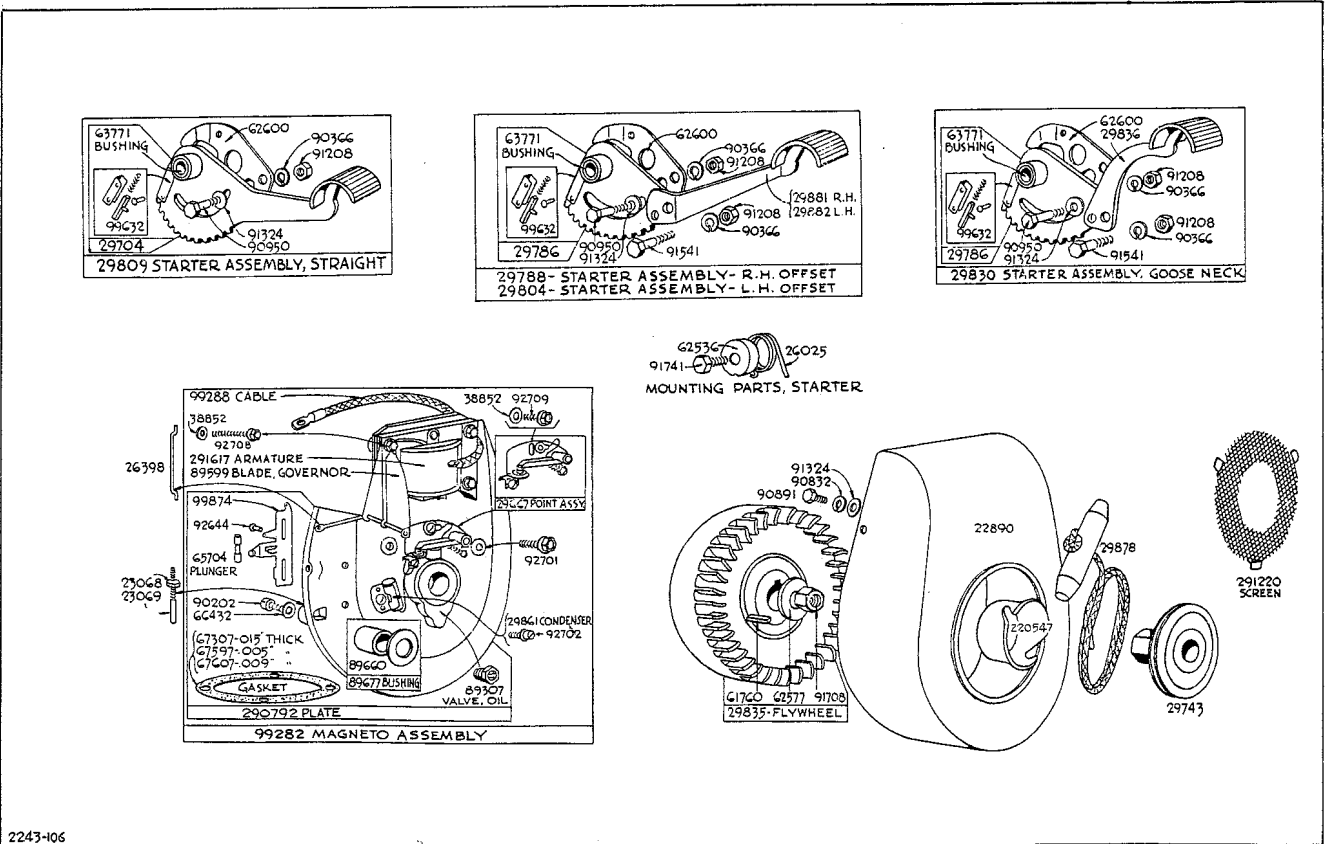
•

This book is for your service manual only and not for customer use. Model "WMB" Operating and Maintenance Manuals--Form 68567--Includes the same parts data for customer's use and are available at ten cents each.

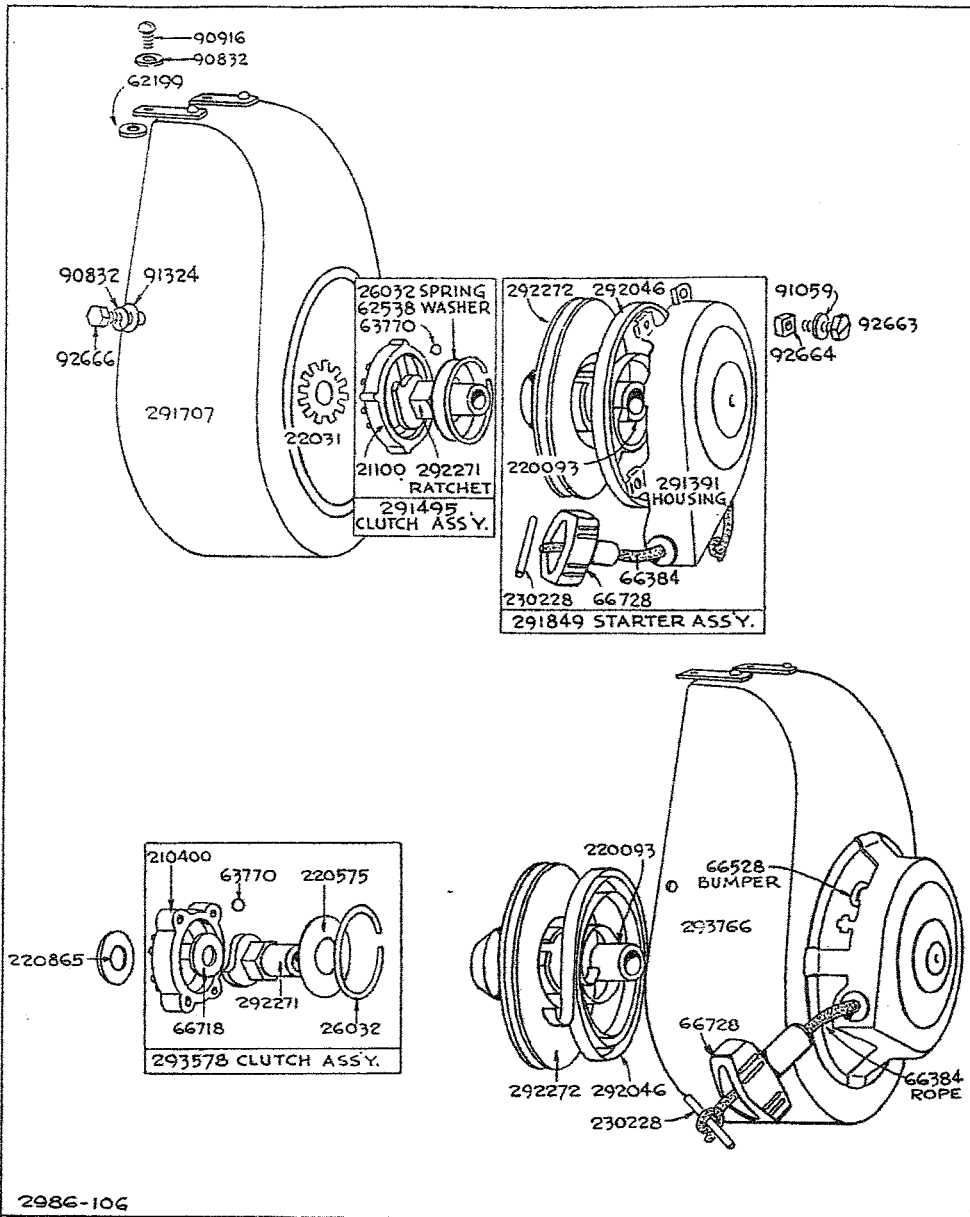




2242-93



2243-06



NUMERICAL PARTS LIST

MASTER PART NUMBER		SHIPPING WEIGHT LBS. OZ.
21100	Housing—Starter Clutch (Used on engines with bolt-on recoil starter)	14
21283	Ring—Piston, Compression, Top—Standard	1
21310	Body—Breather Used on engines with inside breather.	1
21376	Ring—Piston, Compression, Top—.010" O.S.	1
21377	Ring—Piston, Compression, Top—.020" O.S.	1
21378	Ring—Piston, Compression, Top—.030" O.S.	1
22011	Cover—Valve	6
22020	Washer—Throttle Shaft	1
22031	Lock—Clutch Housing (Use Part No. 220865)	2
22206	Shield—Cylinder	6
22216	Cover—Breather Used on engines with inside breather.	1
22217	Shield—Oil Spray Used on engines with inside breather.	1
	Note: No. 62703 Shield—Oil Spray Used on engines with outside breather.	1
22235	Washer—Needle Valve	1
*22853	Washer—Valve Cover	1
22890	Housing—Blower	2

* Included in Gasket Set — Part No. 291452.

MASTER PART NUMBER		SHIPPING WEIGHT LBS. OZ.
22963	Washer—Cylinder Head	1
	<i>Note:</i> No. 91324 Washer— $\frac{1}{4}$ " Standard.....	1
	Used to mount cylinder shield to cylinder head on engines before Serial No. 681769.	
23068	Nut—Speed Adjusting	1
23069	Screw—Speed Adjusting	1
23131	Spacer—Carrying Handle	2
23187	Pin—Valve Spring Retainer.....	1
23444	Stud—Valve Cover	1
	Used on engines with inside breather.	
	<i>Note:</i> No. 91707 Screw—Valve Cover.....	1
	Used on engines with outside breather.	
23944	Valve—Needle	1
	<i>Note:</i> { No. 63810 Valve—Needle	1
	{ No. 63136 Pin—Stop	1
	{ No. 26035 Spring—Stop Pin	1
	Used on engines before Serial No. 768059.	
26021	Spring—Valve	1
26025	Spring—Pedal Return	1
26026	Lock—Piston Pin	1
26032	Spring—Clutch Retainer	1
26034	Link—Governor	1
26328	Spring—Governor	1
26330	Spring—Breather	1
	Used on engines with inside breather.	
26336	Spring—Needle Valve	1
26398	Link—Throttle	1
	<i>Note:</i> No. 62893 Link—Throttle.....	1
	Used on engines before serial No. 348424.	
26657	Spring—Throttle Adjustment	1
27323	Gasket—Breather Body	1
27402	Gasket—Air Cleaner	1
27423	Gasket—Air Cleaner Mounting	1
	<i>Note:</i> No. 68957 Gasket—Air Cleaner Mounting.....	1
	Used on engines before Serial No. 1170179.	
29658	Breather Assembly	4
29667	Breaker Assembly—Ignition	2
29671	Armature—Magneto	2
29693	Plug—Spark—with Gasket	3
29704	Pedal—Starter	1
	<i>Note:</i> The following parts used on type No. 95561:	
	No. 29786 Sector—Starter.....	1
	No. 90366 Washer—Lock— $\frac{5}{16} \times \frac{1}{2} \times \frac{1}{16}$	1
	No. 91208 Nut—Hex.— $\frac{5}{16}$ -24	1
	No. 91541 Screw—Cap, Hex. Hd.— $\frac{5}{16}$ -24x $\frac{7}{8}$	1
	No. 99666 Pedal—Starter (Straight).....	1
29739	Piston Assembly—Standard	8
29741	Clutch and Pulley—Starter.....	1
	<i>Note:</i> No. 29853 Clutch and Pulley—Starter.....	1
	Used on type Nos. 95461, 95462, 95476, 95477, 95481, 95491, 95587.	
	No. 29885 Clutch and Pulley—Starter.....	1
	Used on type Nos. 95451, 95452, 95478.	
	No. 99226 Clutch and Pulley—Starter.....	1
	Used on type Nos. 95310, 95311, 95572, 95586, 95593.	
	No. 99349 Clutch and Pulley—Starter.....	1
	Used on type No. 95556.	
29743	Pulley—Drive, V-Belt— $2\frac{3}{4}$ " diameter.....	8
	<i>Note:</i> No. 29913 Pulley—Drive, V-Belt— $1\frac{11}{8}$ " diameter.....	8
	Used on type Nos. 95330, 95430, 95466, 95467.	
29746	Cylinder Assembly	13
	<i>Note:</i> No. 99090 Cylinder Assembly.....	13
	Used on type No. 95530.	
29767	Rod—Choke— $11\frac{1}{2}$ " long	1
	<i>Note:</i> For other lengths specify:	
	No. 19005 Rod—Choke— $9\frac{1}{2}$ " long.....	1
	No. 29869 Rod—Choke— $11\frac{3}{8}$ " long.....	1
	No. 29876 Rod—Choke—15" long.....	1
	No. 29909 Rod—Choke— $9\frac{1}{4}$ " long.....	1
	No. 89440 Rod—Choke— $13\frac{3}{4}$ " long.....	1
	No. 99624 Rod—Choke—13" long.....	1
29778	Piston Assembly—.010" O.S.....	8
29779	Piston Assembly—.020" O.S.....	8
29780	Piston Assembly—.030" O.S.....	8
29786	Sector—Starter	14
29788	Starter Assembly—Foot (R.H. offset).....	3
29796	Body Assembly—Carburetor	5

MASTER PART NUMBER		SHIPPING WEIGHT LBS. OZ.
29800	Carburetor Assembly	8
	<i>Note:</i> No. 29821 Carburetor Assembly.....	8
	Used on type Nos. 95502, 95504, 95507, 95530, 95534, 95556, 95593.	
29801	Valve—Carburetor Choke	2
29804	Starter Assembly—Foot (L.H. offset).....	3
	<i>Note:</i> No. 99101 Starter Assembly—Foot (L.H. offset).....	3
	Used on type No. 95496.	
	No. 99104 Starter Assembly—Foot (L.H. offset).....	3
	Used on type No. 95404.	
	No. 99247 Starter Assembly—Foot (L.H. offset).....	3
	Used on type No. 95486.	
	No. 99841 Starter Assembly—Foot (L.H. offset).....	3
	Used on type No. 95586.	
29806	Gasket—Spark Plug	1
29807	Muffler	6
	<i>Note:</i> Exhaust tubing not included; furnished by washing machine manufacturer.	
29809	Starter Assembly—Foot (Straight).....	3
	<i>Note:</i> No. 99860 Starter Assembly—Foot (Straight).....	3
	Used on type No. 95561.	
29830	Starter Assembly—Foot (Gooseneck).....	3
	<i>Note:</i> No. 29880 Starter Assembly—Foot (Gooseneck).....	3
	Used on type Nos. 95471, 95491.	
	No. 89445 Starter Assembly—Foot (Gooseneck).....	3
	Used on type Nos. 95472, 95473, 95474, 95479.	
	No. 99096 Starter Assembly—Foot (Gooseneck).....	3
	Used on type Nos. 95475, 95476, 95477, 95478, 95523, 95551, 95552, 95587.	
	No. 99761 Starter Assembly—Foot (Gooseneck).....	3
	Used on type No. 95581.	
29835	Flywheel—Magneto	6
29836	Pedal—Starter, Gooseneck	1
	<i>Note:</i> No. 20870 Pedal—Starter.....	1
	Used on type Nos. 95471, 95491.	
	No. 89446 Pedal—Starter.....	1
	Used on type Nos. 95472, 95473, 95474, 95479.	
	No. 99082 Pedal—Starter.....	1
	Used on type Nos. 95475, 95476, 95477, 95478, 95523, 95551, 95552, 95587.	
	No. 99762 Pedal—Starter.....	1
	Used on type No. 95581.	
29861	Condenser	2
29863	Outlet Assembly—Fuel Tank.....	2
29865	Tank Assembly—Fuel	1 8
	<i>Note:</i> No. 29870 Tank Assembly—Fuel.....	1 8
	Used on type Nos. 95305, 95309, 95311, 95341, 95461, 95462, 95471, 95473, 95474, 95556, 95596.	
29878	Rope—Starter	4
29881	Pedal—Starter—R.H. offset	1
29882	Pedal—Starter—L.H. offset	1
	<i>Note:</i> No. 99103 Pedal—Starter—L.H. offset	1
	Used on type No. 95404.	
	No. 99840 Pedal—Starter.....	1
	Used on type No. 95586.	
38382	Washer—Generator Mounting	1
38352	Washer—Armature and Breaker Mounting.....	1
61700	Housing—Starter Clutch	1
	<i>Note:</i> No. 61781 Housing—Starter Clutch.....	1
	Used on type Nos. 95461, 95462, 95476, 75477, 95481, 95491, 95587.	
	No. 61784 Housing—Starter Clutch.....	1
	Used on type Nos. 95451, 95452, 95478.	
	No. 61937 Housing—Starter Clutch (cast iron).....	1
	Used on type Nos. 95310, 95311, 95572, 95586, 95593.	
	No. 61973 Housing—Starter Clutch (cast iron).....	1
	Used on type No. 95556.	
61703	Gear—Cam	1 8
61755	Fitting—Exhaust Hose	8
61756	Ring—Piston, Compression, Center—Standard.....	1
61757	Ring—Piston, Oil—Standard	1
61760	Key—Flywheel	1
61768	Ring—Piston, Compression, Center—.010" O.S.....	1
61769	Ring—Piston, Compression, Center—.020" O.S.....	1
61770	Ring—Piston, Compression, Center—.030" O.S.....	1
61771	Ring—Piston, Oil—.010" O.S.....	1
61772	Ring—Piston, Oil—.020" O.S.....	1
61773	Ring—Piston, Oil—.030" O.S.....	1
62007	Clamp—Fuel Tank	1
62199	Washer—Blower Housing Mounting	1

62534	Retainer—Valve Spring	1
62536	Cup—Starter Return Spring.....	1
62538	Washer—Clutch Retainer	1
62577	Washer—Flywheel	1
62600	Stop—Starter Pedal	6
	Note: No. 99102 Stop—Starter Pedal.....	6
	Used on type No. 95496.	
	No. 99246 Stop—Starter Pedal.....	6
	Used on type No. 95486.	
62628	Washer—Choke Retainer	1
	Note: No. 62651 Washer—Carburetor.....	1
	Used on type Nos. 95502, 95504, 95507, 95530, 95534, 95556, 95593.	
62684	Plate—Support	8
62702	Washer—Choke Valve	1
62904	Plate—Base	1
62943	Handle—Carrying	4
93058	Connector—Fuel Pipe	1
93770	Ball—Clutch	1
93771	Bushing—Starter Pedal and Sector.....	1
93772	Plug—Oil Drain	1
93782	Valve—Intake	2
93783	Fitting—Exhaust	2
93785	Shaft—Cam	3
93788	Tappet—Valve	1
93794	Pinion—Starter	4
93807	Valve—Exhaust	2
93821	Wrench— $\frac{1}{8}$ " Socket Head Set Screw.....	2
93949	Stud—Air Cleaner	1
95294	Washer—Fuel Tank Outlet	1
95534	Gasket—Filler Cap	1
95704	Plunger—Breaker Point	1
95787	Gasket—Fuel Pipe Connector.....	1
95968	Disk—Breather	1
	Used on engines with inside breather	
95978	Packing—Needle Valve	1
	Note: No. 67617 Packing—Needle Valve.....	1
	Used on engines before Serial No. 768059.	
96384	Rope—Starter	1
96432	Washer—Speed Adjuster Retainer.....	1
96528	Bumper—Starter Pulley	1
96718	Washer—Starter Clutch Thrust	1
96728	Grip—Starter Rope	2
*67307	Gasket—Magneto Plate—.015" thick.....	1
*67527	Gasket—Valve Cover	1
*67547	Gasket—Engine Base	1
*67597	Gasket—Magneto Plate—.005" thick.....	1
*67607	Gasket—Magneto Plate—.009" thick.....	1
68122	Plug—Cam Shaft	1
*68467	Gasket—Carburetor Mounting	1
*67957	Gasket—Air Cleaner Mounting	1
	Note: No. 68287 Gasket—Air Cleaner Mounting.....	1
	Used on engines before serial No. 81165.	
69221	Cap—Fuel Tank	2
69335	Pipe—Fuel—19" long	2
	Note: No. 29243 Pipe—Fuel—10" long.....	2
	Used on type Nos. 95534, 95593.	
	No. 29411 Pipe—Fuel—13" long.....	2
	Used on type Nos. 95341, 95352, 95430, 95467.	
	No. 29544 Pipe—Fuel—27" long.....	4
	Used on type Nos. 95521, 95523.	
	No. 29858 Pipe—Fuel—21" long.....	4
	Used on type Nos. 95305, 95307, 95311.	
	No. 64409 Pipe—Fuel—23" long.....	4
	Used on type Nos. 95309, 95377, 95461, 95462, 95581, 95596.	
	No. 69326 Pipe—Fuel—22" long.....	4
	Used on type Nos. 95331, 95353, 95471, 95472, 95473, 95479.	
	No. 69358 Pipe—Fuel—30" long.....	6
	Used on type Nos. 95302, 95327, 95526, 95556, 95561.	
	No. 69700 Pipe—Fuel—24" long.....	4
	Used on type Nos. 95306, 95308, 95402.	
	No. 99095 Pipe—Fuel—20" long.....	4
	Used on type Nos. 95475, 95476.	

* Included in Gasket Set — Part No. 291452.

MASTER PART NUMBER		SHIPPING WEIGHT LBS. OZ.
89307	Valve—Oil Return	1
89599	Blade Assembly—Governor	2
89660	Seal—Oil	1
	Used on engines after serial No. 311627.	
	Note: No. 23495 Ring—Oil Retainer.....	1
	Used on engines before serial No. 311628.	
89677	Bushing—Crankshaft and Magneto.....	3
	Includes: No. 89660 Seal—Oil.	
	Used on engines after serial No. 311627.	
	Note: No. 89340 Bushing—Crankshaft and Magneto.....	2
	Includes: No. 23495 Ring—Oil Retainer	
	Used on engines before serial No. 311628.	
89966	Muffler	8
90202	Screw—Machine, Fill. Head—10-32x $\frac{1}{2}$ "	1
90355	Nut—Hex.—10-32	1
90366	Washer—Lock— $\frac{5}{16}$ x $\frac{1}{2}$ x $\frac{1}{16}$ "	1
90367	Washer—Lock—No. 8x5/64x $\frac{1}{32}$ "	1
90384	Washer—Generator Mounting	1
90651	Screw—Cap, Hex. Head— $\frac{5}{16}$ -18x $\frac{5}{8}$ ".....	1
90652	Washer—Lock— $\frac{1}{4}$ x $\frac{5}{8}$ x5/64"	1
90847	Nut—Hex.— $\frac{1}{4}$ -28	1
	Used on engines with inside breather.	
90891	Screw—Cap, Hex. Hd.— $\frac{1}{4}$ -20x $\frac{1}{2}$ " (Use Part No. 92666).....	1
90916	Screw—Machine, Rd. Hd.— $\frac{1}{4}$ -20x $\frac{1}{2}$ "	1
90950	Screw—Cap, Hex. Head— $\frac{5}{16}$ -24x $\frac{3}{4}$ "	1
91028	Screw—Cap, Hex. Head— $\frac{5}{8}$ -24x $\frac{3}{4}$ ".....	1
91059	Washer—Lock—No. 12x $\frac{1}{16}$ x $\frac{1}{16}$ "	1
91070	Washer—Lock—Shakeproof No. 1208.....	1
91203	Screw—Cylinder Head	1
91208	Nut—Hex.— $\frac{5}{16}$ -24	1
91253	Screw—Machine, Fill. Head—6-32x $\frac{5}{16}$ ".....	1
91324	Washer— $\frac{1}{4}$ " Standard	1
91359	Screw—Machine, Fill. Head—10-32x $\frac{3}{4}$ ".....	1
91397	Nut—Hex.— $\frac{5}{16}$ -18	1
91398	Screw—Cap Hex. Head— $\frac{1}{4}$ -28x $\frac{1}{2}$ ".....	1
91401	Screw—Machine, Fill. Head—8-32x $\frac{1}{4}$ ".....	1
91449	Screw—Cylinder Head—1 $\frac{1}{2}$ " long.....	1
91541	Screw—Cap, Hex. Head— $\frac{1}{16}$ -24x $\frac{1}{2}$ ".....	1
91708	Nut—Flywheel	1
91711	Screw—Cylinder Head	1
91741	Screw—Pedal Return Spring Cup.....	1
91753	Screw—Set, Socket Head— $\frac{5}{16}$ -24x $\frac{1}{2}$ ".....	1
91810	Elbow—Muffler	2
91811	Locknut—Muffler Elbow	1
92067	Nut—Wing	1
92090	Screw—Connecting Rod Dipper.....	1
	Note: No. 91849 Screw—Connecting Rod.....	1
	Used on engines before serial No. 108919 or series 20.	
92268	Washer—Lock— $\frac{3}{8}$ x $\frac{1}{2}$ x $\frac{3}{16}$ "	1
92285	Pin—Cotter—No. 18x $\frac{1}{2}$ "	1
92290	Washer—Lock—No. 10x $\frac{1}{16}$ x3/64	1
92298	Screw—Cap, Hex. Head— $\frac{5}{16}$ -18x $\frac{1}{2}$ ".....	1
92604	Screw—Connecting Rod	1
	Note: No. 91849 Screw—Connecting Rod.....	1
	Used on engines before serial No. 108919 or series 20.	
92634	Screw—Machine, Rd. Hd.—5-40x $\frac{5}{8}$ ".....	1
92644	Rivet—Tubular— $\frac{1}{2}$ x $\frac{1}{2}$ "	1
	Note: {No. 92324 Rivet—Tubular— $\frac{1}{2}$ x $\frac{3}{8}$ ".....	1
	{No. 62641 Plate—Speed Adjuster Retainer.....	2
	Used on engines before Serial No. 638799.	
92663	Screw—Starter Mounting	1
92664	Nut—Starter Mounting	1
92666	Screw—Cap, Hex. Hd.— $\frac{1}{4}$ -20x $\frac{1}{2}$ "	1
92701	Screw—Magneto Mounting Sem	1
92702	Screw—Condenser Mounting Sem	1
	Note: No. 90367 Washer—Lock—No. 8x $\frac{5}{16}$ x $\frac{1}{16}$ "	1
	Used on earlier model engines.	
92708	Screw—Armature Mounting Sem	1
	Note: No. 92317 Washer—Lock—Shakeproof No. 1208.....	1
	Used on earlier model engines.	
92709	Screw—Breaker Mounting Sem	1
	Note: No. 92317 Washer—Lock—Shakeproof No. 1208.....	1
	Used on earlier model engines.	
90028	Cleaner Assembly—Air	1
	Note: No. 29823 Cleaner Assembly—Air.....	12
	Used on type No. 35556.	

99106	Elbow—Air Cleaner	2
99282	Magneto Assembly	6
	<i>Note: No. 290893 Magneto Assembly (for Dust Cover).....</i>	6
	Used on type No. 95556.	
	Includes: No. 92703 Screw—Dust Cover Mounting Sem	1
	The following parts used with No. 290893 Magneto	
	Assembly before Serial No. 466472:	
	No. 91833 Stud—Dust Cover.....	1
	No. 62835 Cover—Dust.....	4
	No. 62842 Spacer—Dust Cover.....	1
	No. 90313 Nuts—Hex. 8-32.....	1
	No. 90367 Washer—Lock—No. 8x5/64x $\frac{1}{8}$ ".....	1
	No. 290897 Magneto Assembly (with Ground Wire)...	6
	Used on type Nos. 95466, 95467, 95501, 95534, 95593.	
	Includes: No. 65915 Wire—Ground.....	1
99288	Cable—Ignition	2
99588	Lever Assembly—Throttle	2
99632	Tooth Assembly—Spring	1
99688	Rod—Connecting	8
99874	Adjuster—Speed	1
210400	Housing—Starter Clutch	1
220010	Dipper—Connecting Rod	1
	<i>Note: No. 92080 Screw—Connecting Rod Dipper.....</i>	1
	Used on earlier model engines.	
220020	Lock—Connecting Rod Screw.....	1
220093	Retainer—Spring	1
220547	Pulley—Rope Starter	6
220575	Washer—Clutch Retainer	1
220865	Washer—Spring	1
230228	Pin—Starter Grip	1
290290	Ring Set—Standard Piston.....	3
290291	Ring Set—.010" O.S. Piston.....	3
290202	Ring Set—.030" O.S. Piston.....	3
290413	Cap—Oil Filler	4
290596	Ring Set—.020" O.S. Piston.....	3
290792	Plate—Magneto	2
	<i>Note: No. 290869 Plate—Magneto.....</i>	2
	Used on type Nos. 95466, 95467, 95501, 95534, 95593.	
290980	Pin Assembly—Piston—Standard	2
290981	Pin Assembly—Piston—.005" O.S.....	2
291220	Screen—Blower Housing	2
	<i>Note: No. 291430 Screen—Blower Housing (Full Screen)....</i>	2
	Used on type No. 95556.	
*291301	Gasket—Cylinder Head— $\frac{1}{16}$ " thick.....	1
	* <i>Note: No. 67537 Gasket—Cylinder Head—$\frac{1}{32}$" thick.....</i>	1
	Used on engines before Serial No. 681769; also used	
	with all cylinder heads having seven fins.	
291322	Crankshaft	3
	<i>Note: No. 26990 Crankshaft.....</i>	3
	Used on type Nos. 95320, 95325, 95342.	
291380	Head Assembly—Cylinder	1 8
291391	Housing—Starter (Used only with bolt-on type recoil starter)	12
291452	Gasket Set	4
291495	Clutch Assembly—Starter (Used only with bolt-on type	
	recoil starter)	1
291617	Armature—Magneto	2
291707	Housing—Blower (Used on engines with a bolt-on recoil	
	starter)	1 4
291838	Cleaner Assembly—Air	1
291849	Starter Assembly—Recoil (bolt-on-type)	2
291905	Breather Assembly (Inside)	2
292046	Spring—Starter	5
292271	Ratchet—Recoil Starter	5
292272	Pulley—Recoil Starter	1
293578	Clutch Assembly—Recoil Starter	1 8
293766	Housing—Blower and Starter (For recoil starter).....	2

* Included in Gasket Set — Part No. 291452.