

# Illustrated Parts List

## MODEL SERIES

"N"—"NP"—"NPR-1:39D"—"NPR-4D"—"NPR-6"

TYPE NUMBERS FROM 306100 TO 307305

### HOW TO FIND THE CORRECT NUMBER OF THE PART YOU NEED

These instructions are to be followed when using a Parts List to determine the correct part for an engine.

• • • • •

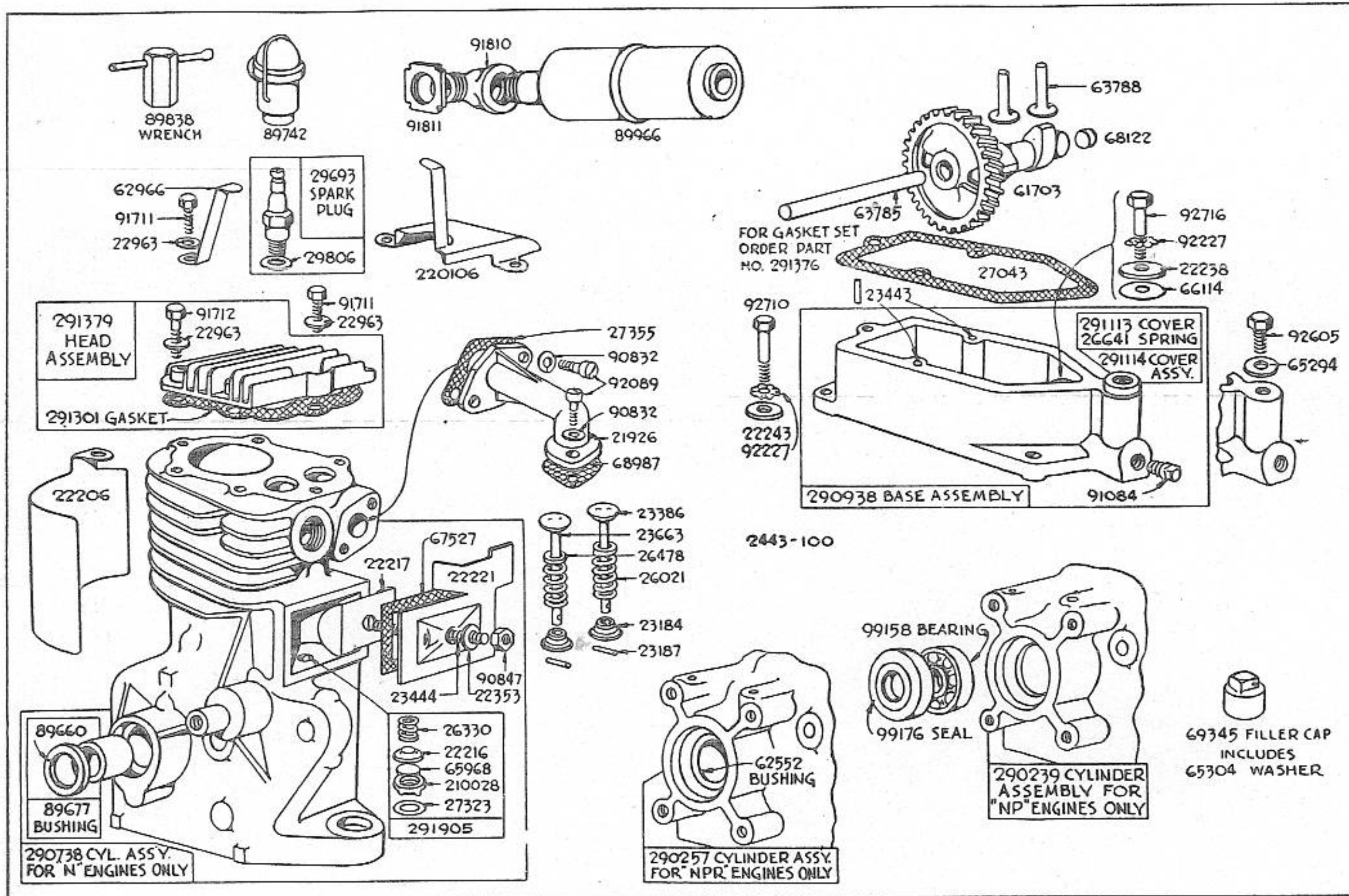
- A. Refer to Engine Model, Type and Serial Number that is stamped on the blower housing or name plate of engine. Then use the Illustrated Parts List covering this Model Series.
- B. Refer to Illustrated Parts section and compare the old part with illustration. The number on the illustration is the Part Number. Assemblies include all parts shown in frames. All parts shown in assembly frames on which individual part numbers are given can be purchased separately.
- C. After the Part Number has been identified, refer to the Numerical Parts List, where Master Part Numbers are listed. THE MASTER PART IS USED ON ALL TYPE NUMBERS EXCEPT THOSE TYPE NUMBERS UNDER "NOTE".
- D. If a "Note" appears below the Master Part Number, this means that this part differs from the Master Part for certain types. If the Type Number is listed under "Note", order the part referred to.
- E. If the Engine Type Number does not appear after any part number listed under "Note", use the Master Part Number.

PRINTED IN U.S.A. AT B & S

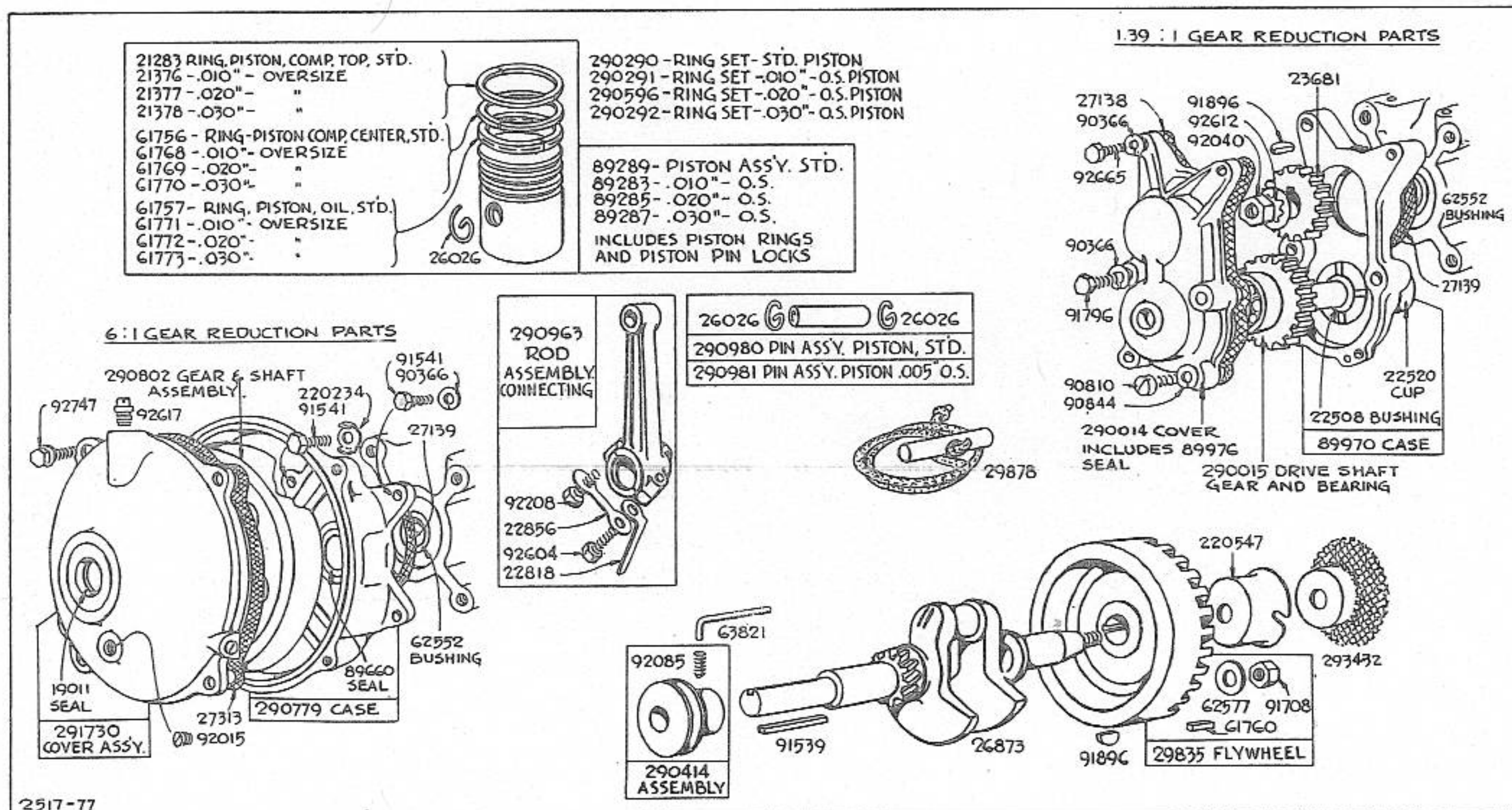


"N"

# TYPE NUMBERS FROM 306100 TO 307305



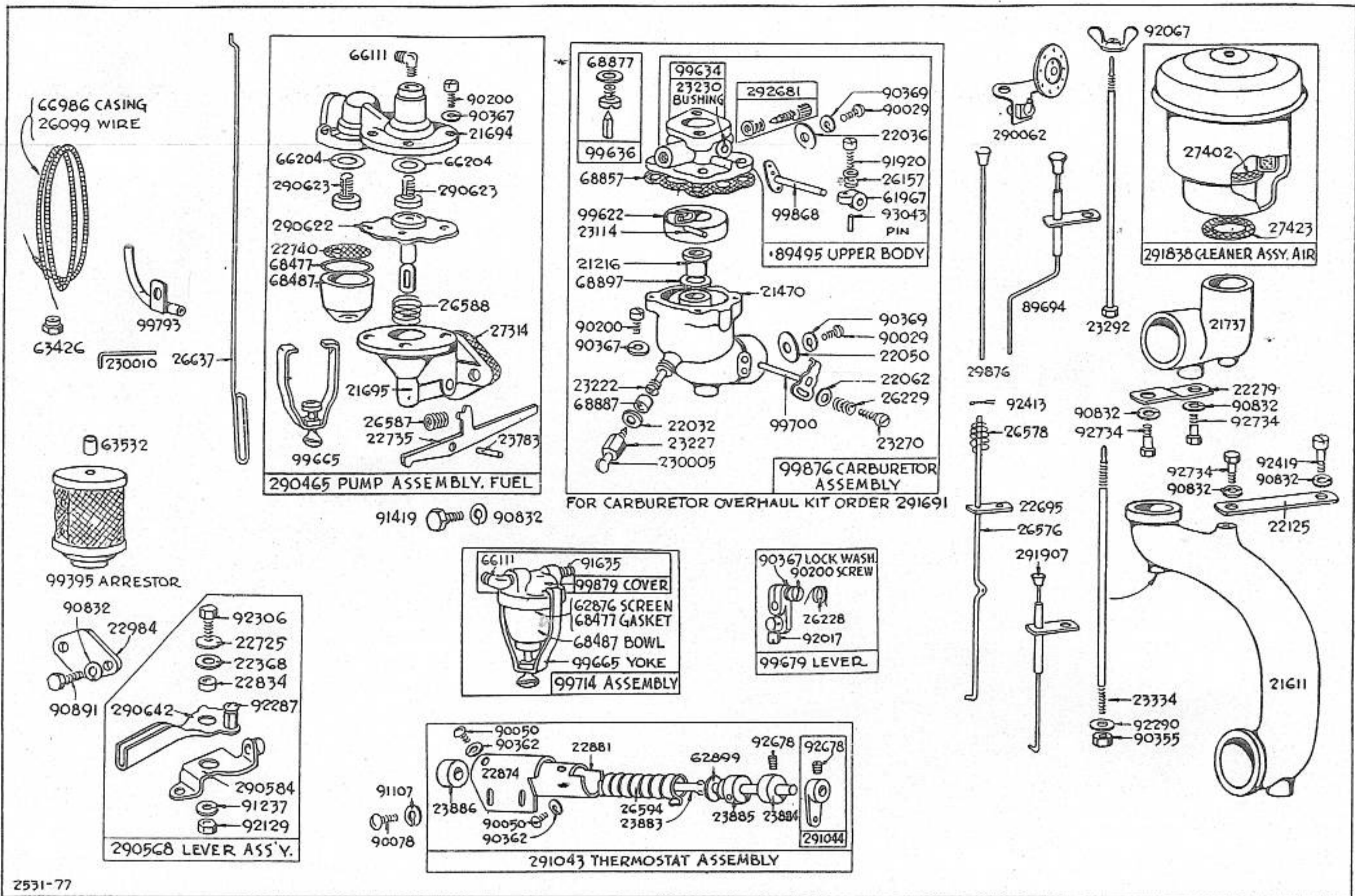
**CYLINDER AND BASE PARTS - PLATE No. 27**  
 Assemblies include all parts shown in frames.



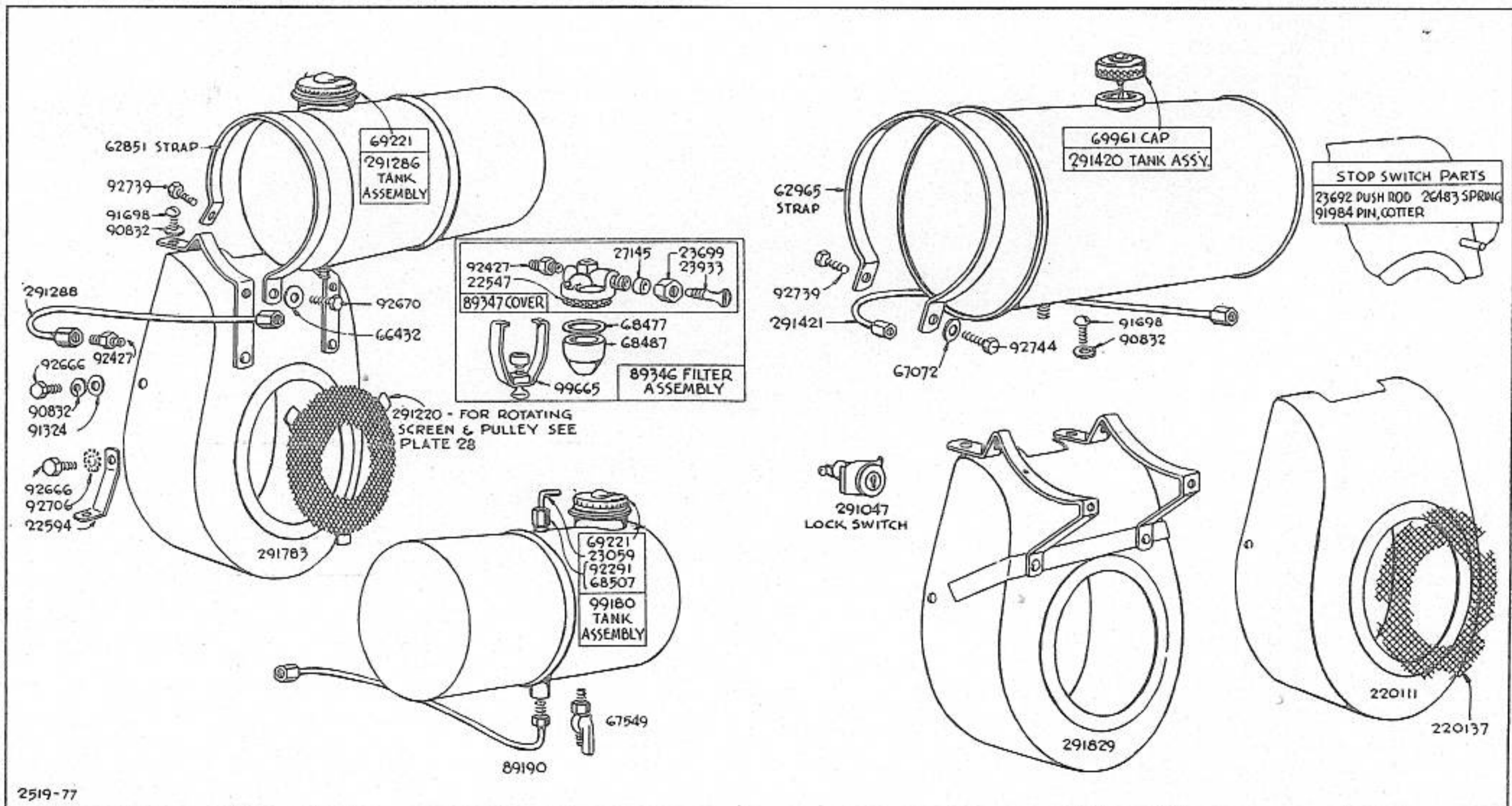
**PISTON, CONNECTING ROD, FLYWHEEL, AND GEAR REDUCTION PARTS - PLATE No. 28**  
 Assemblies include all parts shown in frames.

# TYPE NUMBERS FROM 306100 TO 307305

"N"



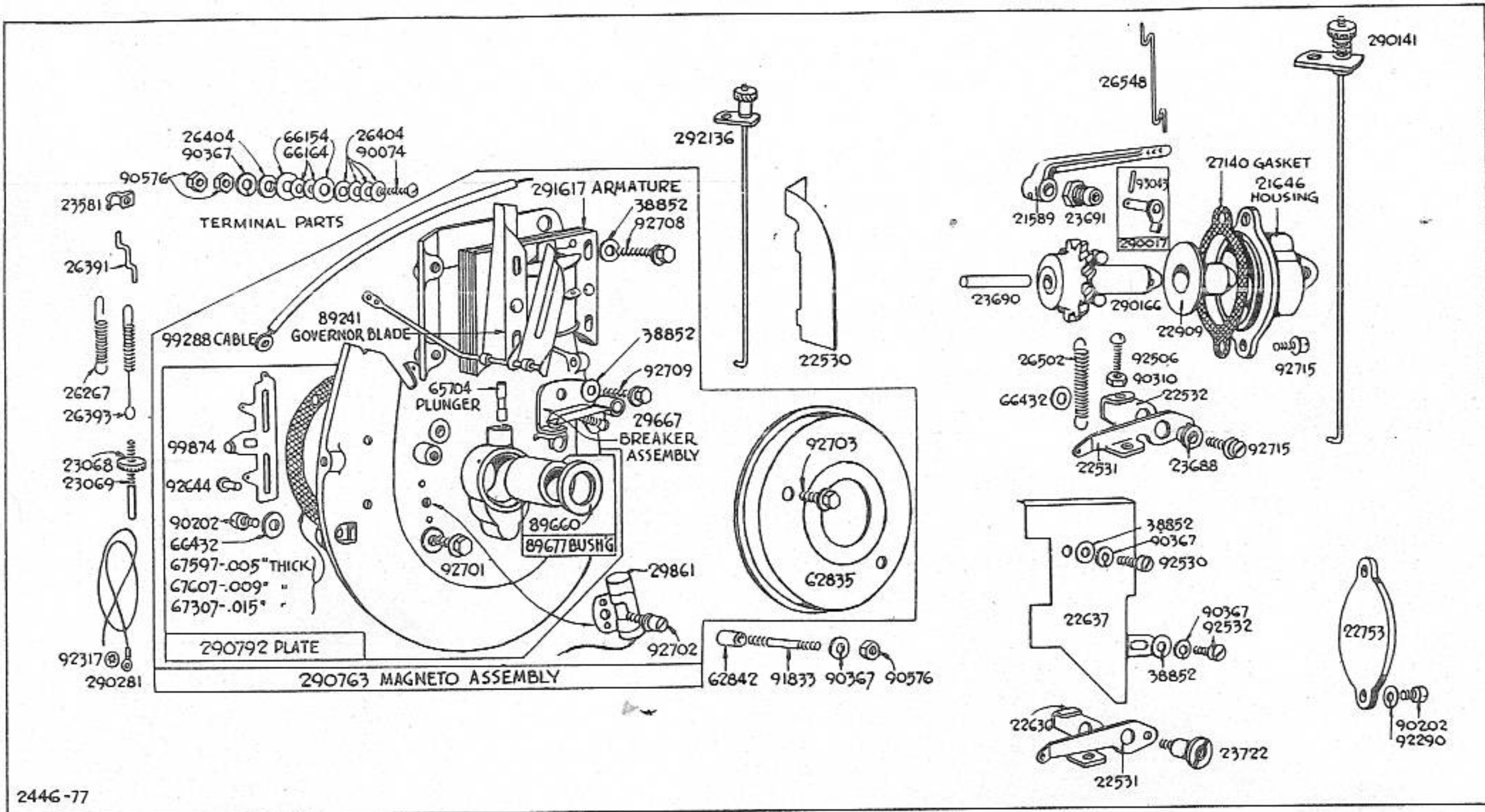
THROTTLE CONTROL AND FUEL SYSTEM PARTS - PLATE No. 29  
Assemblies include all parts shown in frames.



FUEL TANK AND BLOWER HOUSING PARTS - PLATE No. 30  
Assemblies include all parts shown in frames.

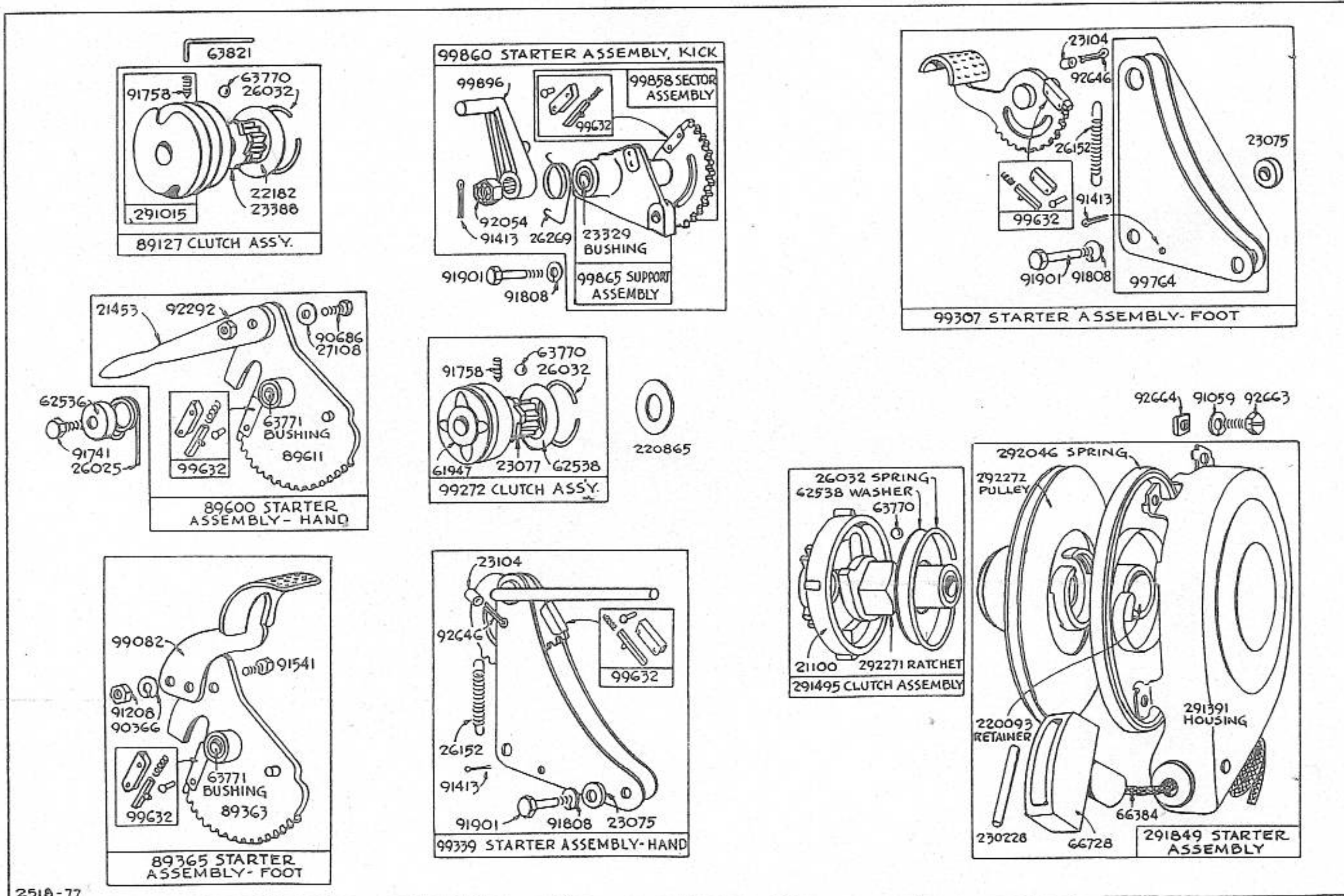
"N"

# TYPE NUMBERS FROM 306100 TO 307305



2446-77

MECHANICAL GOVERNOR AND MAGNETO PARTS - PLATE No. 31  
Assemblies include all parts shown in frames.



2518-77

STARTER PARTS - PLATE No. 32  
Assemblies include all parts shown in frames.

# TYPE NUMBERS FROM 306100 TO 307305

"N"

## NUMERICAL PARTS LIST

PART NO.	DESCRIPTION	PART NO.	DESCRIPTION	PART NO.	DESCRIPTION
19011	Seal - Oil	22279	Brace - Air Cleaner Elbow	23292	Bolt - Air Cleaner - 6 <sup>5</sup> / <sub>16</sub> " long
21100	Housing - Starter Clutch	*22353	Washer - Valve Cover	<b>Note:</b> 23987	Bolt - Air Cleaner - 6 <sup>15</sup> / <sub>16</sub> " long Used on type No. 306690.
21216	Venturi - Carburetor	22368	Washer - Control Lever	23329	Bushing - Starter Support
21283	Ring - Piston, Compression, Top - Standard	22508	Bushing - Gear Case	23334	Stud - Air Cleaner - 6" long
21376	Ring - Piston, Compression, Top - .010" O.S.	22520	Cup - Gear Case	<b>Note:</b> 23711	Stud - Air Cleaner - 6 <sup>15</sup> / <sub>16</sub> " long Used on type Nos. 306537, 306591, 306626, 306654, 306657, 306664, 306667, 306677, 307301, 307302.
21377	Ring - Piston, Compression, Top - .020" O.S.	22530	Guide - Magneto Air (Used only on engines with a Mechanical Governor)	23737	Stud - Air Cleaner - 7 <sup>15</sup> / <sub>16</sub> " long Used on type Nos. 306707, 306717, 306722,
21378	Ring - Piston, Compression, Top - .030" O.S.	22531	Lever - Governor Control	23386	Valve - Intake
21453	Lever - Hand Starter	22532	Stop - Governor Lever	<b>Note:</b> 23663	Valve Used as intake valve on type Nos. 306185, 306267, 306268, 306272, 306276, 306314, 306317, 306319, 306323, 306325, 306326, 306327, 306328, 306329, 306331, 306335, 306336, 306337, 306338, 306339, 306340, 306341, 306342, 306414, 306560, 306591, 306624, 306626, 306644, 306648, 306651, 306652, 306653, 306654, 306657, 306660, 306664, 306667, 306669, 306671, 306675, 306676, 306677, 306678, 306680, 306690, 306696, 307034, 307075, 307077, 307078, 307079, 307301, 307302.
<b>Note:</b> 21654	Lever - Hand Starter Used on type Nos. 306304, 306324.	22547	Screen - Fuel Filter (with rectangular hole) <b>Note:</b> For Screen with round hole order No. 62876.	23388	Pinion - Starter
21470	Body - Lower Carburetor	22594	Brace - Carburetor	23443	Pin - Engine Base
<b>Note:</b> 99720	Body Assembly - Lower Carburetor Used on type Nos. 306126, 306197, 306255, 306275, 306305, 306312, 306314, 306315, 306317, 306325, 306326, 306327, 306339, 306529, 306548, 306594, 306702, 306703, 306704, 306705, 306707, 306708, 306714, 306715, 306717, 306718, 306722. Includes: 90051 Screw - Machine, Rd. Head - 6-32 x <sup>5</sup> / <sub>16</sub> " 90362 Washer - Lock - No. 6 x <sup>3</sup> / <sub>4</sub> " x <sup>1</sup> / <sub>32</sub> "	22636	Stop - Governor Lever	23444	Stud - Valve Cover <b>Note:</b> 230121 Stud - Valve Cover Used on type Nos. 306276, 306335, 306336, 306337, 306339, 306652, 306654, 306657, 306660, 306664, 306667, 306669, 306671, 306675, 306677, 306678, 306690, 306696, 307079, 307302.
291063	Body Assembly - Lower Carburetor Used on type Nos. 306531, 306596, 306625, 306649, 306651, 306668. Includes: 90051 Screw - Machine, Rd. Head - 6-32 x <sup>5</sup> / <sub>16</sub> " 91122 Washer - Lock - Shakeproof No. 1206	22637	Shield - Governor	23581	Clamp - Ignition Cable
21589	Lever - Governor	22695	Strap - Governor Control Rod	23663	Valve - Exhaust <b>Note:</b> 26515 Valve - Exhaust Used on type Nos. 306185, 306267, 306268, 306272, 306276, 306314, 306317, 306319, 306323, 306325, 306326, 306327, 306328, 306329, 306331, 306335, 306336, 306337, 306338, 306339, 306340, 306341, 306342, 306414, 306560, 306591, 306624, 306626, 306644, 306648, 306651, 306652, 306653, 306654, 306657, 306660, 306664, 306667, 306669, 306671, 306675, 306676, 306677, 306678, 306680, 306690, 306696, 307034, 307075, 307077, 307078, 307079, 307301, 307302.
21611	Elbow - Air Cleaner	22725	Washer - Control Lever	23681	Pinion - Drive
<b>Note:</b> 210134	Elbow - Air Cleaner Used on type No. 306667.	22735	Lever - Fuel Pump	23688	Bushing - Governor Control
21646	Housing - Governor	22740	Screen - Fuel Pump Filter	23690	Shaft - Governor
21694	Head - Fuel Pump	22753	Cover - Governor Hole	23691	Bushing - Governor Crank
21695	Body - Fuel Pump	22818	Dipper - Connecting Rod	23692	Push Rod - Stop Switch
21737	Elbow - Air Cleaner	22834	Washer - Spacer	23699	Nut - Fuel Shut-off Lever
<b>Note:</b> 21624	Elbow - Air Cleaner Used on type Nos. 306707, 306717, 306722. Uses: 91456 Screw - Cap, Hex. Head - <sup>1</sup> / <sub>4</sub> -20 x 1"	22856	Lock - Connecting Rod Screw	23722	Screw - Governor Control Lever
21926	Elbow - Carburetor Intake	22874	Bracket - Thermostat	23783	Pin - Fuel Pump Lever
†22032	Washer - Needle Valve Packing	22881	Tube - Thermostat	23883	Shaft - Thermostat
22036	Valve - Throttle	22909	Cup - Governor <b>Note:</b> 22533 Cup - Governor Used on engines before Serial No. 535227.	23884	Stop - Thermostat Shaft
22050	Valve - Choke	22963	Washer - Cylinder Head <b>Note:</b> 91324 Washer - <sup>1</sup> / <sub>4</sub> " Standard Used to mount cylinder shield and stop switch to head on engines before Serial No. 729202.	23885	Support - Thermostat (Inner)
<b>Note:</b> 22876	Valve - Choke Used on type Nos. 306531, 306596, 306625, 306668.	22984	Cover - Fuel Pump Hole	23886	Support - Thermostat (Outer)
22062	Washer - Choke Lever	23059	Lever - Fuel Shut-off	23933	Lever - Fuel Shut-off
22125	Brace - Air Cleaner Elbow	23068	Nut - Speed Adjusting	26021	Spring - Intake Valve
22182	Washer - Clutch Retainer	23069	Screw - Speed Adjusting	26025	Spring - Pedal Return
22206	Shield - Cylinder	23075	Spacer - Starter Support	26026	Lock - Piston Pin
22216	Cover - Breather	23077	Pinion - Starter <b>Note:</b> 63794 Pinion - Starter Used on type Nos. 306702, 306703, 306704, 306705, 306707, 306708, 306709, 306713, 306714, 306715, 306717, 306718, 306719, 306722.	26032	Spring - Clutch Retainer
22217	Shield - Oil Spray	23104	Spacer - Starter Support	26099	Wire - Control, 54" long <b>Note:</b> If longer wire is needed, specify length by inches; if shorter wire is needed, order No. 26099 and cut to required length.
22221	Cover - Valve	†23114	Pin - Float Hinge	26718	Wire - Control - 84" long (Stainless Steel)
22238	Washer - Cylinder Mounting <b>Note:</b> 22566 Washer - Cylinder Mounting Used on type Nos. 306276, 306335, 306336, 306337, 306339, 306652, 306654, 306657, 306660, 306664, 306667, 306669, 306671, 306675, 306677, 306678, 306690, 306696, 307079, 307302.	23184	Retainer - Valve Spring <b>Note:</b> 292259 Rotocap - Exhaust Valve Used on type Nos. 306276, 306327, 306331, 306335, 306336, 306337, 306338, 306339, 306340, 306341, 306342, 306660, 306667, 306669, 306671, 306675, 306676, 306677, 306678, 306680, 306690, 306696, 307078, 307079, 307302.		
22243	Washer - Cylinder Mounting <b>Note:</b> 22565 Washer - Cylinder Mounting Used on type Nos. 306276, 306335, 306336, 306337, 306339, 306652, 306654, 306657, 306660, 306664, 306667, 306669, 306671, 306675, 306677, 306678, 306690, 306696, 307079, 307302.	23187	Pin - Valve Spring Retainer <b>Note:</b> 230126 Pin - Exhaust Valve Rotocap Retainer 230127 Retainer - Exhaust Valve Rotocap Used on type Nos. 306276, 306327, 306331, 306335, 306336, 306337, 306338, 306339, 306340, 306341, 306342, 306660, 306667, 306669, 306671, 306675, 306676, 306677, 306678, 306680, 306690, 306696, 307078, 307079, 307302.		
* Included in Gasket Set - Part No. 291376.		†23222	Nozzle - Carburetor		
† Included in Carburetor Overhaul Kit - Part No. 291691.		†23227	Nut - Needle Valve Packing		
		23230	Bushing - Throttle Shaft		
		23270	Screw - Choke Lever		

"N"

# TYPE NUMBERS FROM 306100 TO 307305

PART NO.	DESCRIPTION	PART NO.	DESCRIPTION	PART NO.	DESCRIPTION
	Used on type Nos. 306197, 306255.	<b>26596</b> Crankshaft	Used on type Nos. 306547, 306650, 307000, 307002, 307003, 307004, 307005, 307006, 307007, 307008, 307009, 307010, 307011, 307012, 307013, 307014, 307015, 307016, 307017, 307018, 307019, 307020, 307021, 307023, 307024, 307025, 307026, 307027, 307028, 307029, 307030, 307031, 307032, 307033, 307034, 307035, 307036, 307037, 307038, 307039, 307041, 307042, 307043, 307044, 307045, 307047, 307050, 307051, 307052, 307053, 307054, 307055, 307056, 307057, 307058, 307061, 307062, 307065, 307066, 307067, 307069, 307070, 307072, 307073, 307074, 307075, 307076, 307077, 307078, 307079, 307080, 307082, 307083, 307084, 307201.	<b>26891</b> Crankshaft	Used on type Nos. 306198, 306247, 306300, 306301, 306302, 306303, 306304, 306306, 306307, 306308, 306309, 306310, 306311, 306313, 306316, 306319, 306320, 306321, 306322, 306323, 306324, 306328, 306329, 306331, 306335, 306336, 306337, 306338, 306340, 306341, 306342.
<b>26152</b> Spring - Pedal and Lever Return		<b>26597</b> Crankshaft	Used on type Nos. 306705, 306709, 306715.	<b>26892</b> Crankshaft	Used on type Nos. 306504, 306543, 306610, 306614, 306641, 306681.
<b>26157</b> Spring - Idler Valve and Throttle Adjustment		<b>26617</b> Crankshaft	Used on type Nos. 306518, 306580.	<b>26894</b> Crankshaft	Used on type Nos. 306677, 306671, 306672, 306696.
<b>26228</b> Spring - Choke Lever Return		<b>26620</b> Crankshaft	Used on type Nos. 306716, 307100, 307101, 307102, 307103, 307105, 307106, 307107, 307108, 307109, 307110, 307111, 307112, 307113, 307114, 307115.	Uses: <b>23158</b> Sleeve <b>23666</b> Locknut <b>62980</b> Washer	
<b>26229</b> Spring - Choke Lever		<b>26625</b> Crankshaft	Used on type No. 306519.	<b>26897</b> Crankshaft	Used on type Nos. 306187, 306275, 306315, 306317, 306325, 306326, 306327, 306339.
<b>26267</b> Spring - Control Wire Return		<b>26632</b> Crankshaft	Used on type Nos. 306527, 306532, 306653.	<b>26916</b> Crankshaft	Used on type Nos. 306594, 306624, 306660, 306678.
<b>Note:</b> <b>26638</b> Spring - Control Wire Return	Used on type Nos. 306704, 306708.	<b>26635</b> Crankshaft	Used on type No. 306531.	<b>26951</b> Crankshaft	Used on type Nos. 306190, 306191, 306239, 306241, 306242, 306244, 306246, 306252, 306253, 306254, 306265, 306278.
<b>26269</b> Spring - Starter Pedal Return		<b>26648</b> Crankshaft	Used on type Nos. 306526, 306582.	<b>26953</b> Crankshaft	Used on type Nos. 306617, 306655, 306684.
<b>26330</b> Spring - Breather Retainer		Uses: <b>23900</b> Sleeve - Bearing		<b>260021</b> Crankshaft	Used on type Nos. 306549, 306591, 306652, 306654.
<b>26391</b> Link - Throttle		<b>26655</b> Crankshaft	Used on type Nos. 306305, 306314,	<b>260031</b> Crankshaft	Used on type No. 306640.
<b>26393</b> Spring - Governor		Uses: <b>23739</b> Spacer		<b>260034</b> Crankshaft	Used on type Nos. 306702, 306703, 306704, 306707, 306708, 306713, 306714, 306717, 306718, 306719, 306722.
<b>26404</b> Washer - Stop Switch		<b>26658</b> Crankshaft	Used on type No. 306312.	<b>*27043</b> Gasket - Engine Base	
<b>26478</b> Spring - Exhaust Valve		<b>26673</b> Crankshaft	Used on type No. 306215.	<b>Note:</b> <b>67547</b> Gasket - Engine Base	Used on type No. 306519.
<b>Note:</b> <b>26826</b> Spring - Exhaust Valve	Used on type Nos. 306276, 306327, 306331, 306335, 306336, 306337, 306338, 306339, 306340, 306341, 306342, 306660, 306667, 306669, 306671, 306675, 306676, 306677, 306678, 306680, 306696, 307078, 307079, 307302.	<b>26677</b> Crankshaft	Used on type No. 306221.	<b>27108</b> Washer - Starter Lever	
<b>26483</b> Spring - Stop Switch Push Rod		<b>26677</b> Crankshaft	Used on type No. 306627.	<b>27138</b> Gasket - Gear Case	
<b>26502</b> Spring - Governor		<b>26775</b> Crankshaft	Used on type Nos. 306634, 307040, 307059, 307063, 307064, 307071, 307081.	<b>27139</b> Gasket - Gear Case Mounting	
<b>26548</b> Link - Governor		<b>26831</b> Crankshaft	Used on type Nos. 306570, 306571.	<b>27140</b> Gasket - Governor Housing	
<b>Note:</b> <b>26636</b> Link - Governor	Used on type Nos. 306531, 306596, 306625, 306649, 306651, 306668.	Uses: <b>23158</b> Sleeve <b>23666</b> Locknut <b>62980</b> Washer		<b>27145</b> Packing - Fuel Shut-off Lever	
<b>26576</b> Rod - Control		<b>26886</b> Crankshaft	Used on type Nos. 306501, 306506, 306514, 306515, 306516, 306546, 306550, 306559, 306560, 306564, 306567, 306590, 306592, 306598, 306601, 306602, 306608, 306609, 306646, 306647, 306648, 306658, 306664, 306666, 306677.	<b>27313</b> Gasket - Gear Case Cover	
<b>Note:</b> <b>26563</b> Rod - Control	Used on type Nos. 306210, 306536, 306635.	<b>26890</b> Crankshaft	Used on type Nos. 306500, 306505, 306507, 306508, 306509, 306510, 306513, 306521, 306522, 306529, 306533, 306536, 306537, 306540, 306541, 306542, 306544, 306545, 306548, 306552, 306553, 306565, 306566, 306568, 306569, 306572, 306585, 306587, 306600, 306603, 306606, 306607, 306611, 306612, 306615, 306616, 306618, 306631, 306635, 306638, 306643, 306656, 306670, 306680, 306687, 306689, 306693.	<b>27314</b> Gasket - Fuel Pump Mounting	
<b>26578</b> Spring - Control Rod Return				<b>27323</b> Gasket - Breather Body	
<b>26587</b> Spring - Fuel Pump Lever				<b>*27355</b> Gasket - Intake Elbow Mounting	
<b>26588</b> Spring - Fuel Pump Diaphragm				<b>27402</b> Gasket - Air Cleaner	
<b>Note:</b> <b>26666</b> Spring - Fuel Pump Diaphragm	Used on type No. 306312.			<b>27423</b> Gasket - Air Cleaner Mounting	
<b>26594</b> Thermostat				<b>Note:</b> <b>68957</b> Gasket - Air Cleaner Mounting	Use on engines before Serial No. 1131618; also used on type Nos. 306654, 306657, 306664, 306667, 306677.
<b>26637</b> Link - Choke				<b>27263</b> Gasket - Air Cleaner Mounting	Used on type Nos. 306537, 306591, 306626, 307301.
<b>26641</b> Spring - Oil Hole Cover				<b>292252</b> Gasket Set	Used on engines with plastic bowl air cleaner.
<b>26873</b> Crankshaft				<b>29226</b> Cup - Oil	
<b>Note:</b> <b>26343</b> Crankshaft	Used on type Nos. 306503, 306517, 306523, 306535, 306555, 306557, 306561, 306562, 306583, 306597, 306613, 306626, 306628, 306659, 306665, 306674, 306675, 306683, 306690, 306694.			<b>29667</b> Breaker Assembly - Ignition	
<b>26353</b> Crankshaft	Used on type Nos. 306700, 306701, 306706, 306710, 306711, 306712, 306720, 306721.			<b>Note:</b> <b>292648</b> Breaker Assembly - Ignition	Used on type Nos. 306268, 306272, 306276, 306327, 306328, 306329, 306331, 306335, 306336, 306337, 306338, 306339, 306340, 306341, 306342, 306414, 306626, 306644, 306648, 306652, 306653, 306654, 306657, 306660, 306664, 306667, 306669, 306671, 306675, 306676, 306677, 306678, 306680, 306690, 306696, 307075, 307077, 307078, 307079, 307302.
<b>26362</b> Crankshaft	Used on type Nos. 306502, 306511, 306512, 306520, 306524, 306525, 306528, 306534, 306551, 306558, 306578, 306579, 306581, 306584, 306586, 306593, 306595, 306596, 306625, 306629, 306630, 306637, 306639, 306642, 306644, 306645, 306649, 306651, 306662, 306668, 306669, 306676, 306679, 306682, 306685, 306691.			<b>29693</b> Plug - Spark - with Gasket	
<b>26378</b> Crankshaft	Used on type Nos. 306400, 306401, 306402, 306403, 306404, 306405, 306406, 306407, 306408, 306409, 306410, 306411, 306412, 306413, 306414, 306420, 306421, 306422.				
<b>26492</b> Crankshaft	Used on type Nos. 306530, 306632.				
Uses: <b>23158</b> Sleeve - Bearing					
<b>23666</b> Locknut					
<b>62980</b> Washer					
<b>26499</b> Crankshaft	Used on type Nos. 307301, 307302.				
<b>26589</b> Crankshaft	Used on type Nos. 306573, 306574.				

\* Included in Gasket Set - Part No. 291376.

† Included in Carburetor Overhaul Kit - Part No. 291691.

# TYPE NUMBERS FROM 306100 TO 307305

**"N"**

PART NO.	DESCRIPTION	PART NO.	DESCRIPTION	PART NO.	DESCRIPTION
<b>Note:</b> 292519	Plug - Spark - with Gasket Used on type Nos. 306268, 306272, 306276, 306327, 306328, 306329, 306331, 306335, 306336, 306337, 306338, 306339, 306340, 306341, 306342, 306414, 306626, 306644, 306648, 306652, 306653, 306654, 306657, 306660, 306664, 306667, 306669, 306671, 306675, 306676, 306677, 306678, 306680, 306690, 306696, 307075, 307077, 307078, 307079, 307302.	306712, 306716, 306720, 306721, 307100, 307101, 307102, 307103, 307105, 307106, 307107, 307108, 307109, 307110, 307111, 307112, 307113, 307114, 307115.			66204 Gasket - Fuel Pump Valve
29806	Gasket - Spark Plug	62835	Cover - Dust	66384	Rope - Starter (3/16" Dia.)
29835	Flywheel - Magneto	62842	Spacer - Dust Cover	<b>Note:</b> 66334	Rope - Starter (5/32" Dia.) Used on engines before Serial No. 1378610.
<b>Note:</b> 290628	Flywheel - Magneto Used on type Nos. 306305, 306314,	62851	Strap - Fuel Tank	66432	Washer - Speed Adjuster Retainer and Fuel Tank Strap
292471	Flywheel - Magneto Used on type No. 306339.	62876	Screen - Fuel Filter (with round hole) <b>Note:</b> For screen with rectangular hole order No. 22547.	66728	Grip - Starter Rope
29861	Condenser	62899	Washer - Thermostat	66986	Casing - Control Wire - 48" long <b>Note:</b> If a longer casing is needed, specify length in inches; if a shorter casing is needed order No. 66986 and cut to required length.
<b>Note:</b> 290593	Condenser Used on type Nos. 306213, 306268, 306272, 306276, 306317, 306319, 306323, 306324, 306325, 306326, 306327, 306328, 306329, 306331, 306335, 306336, 306337, 306338, 306339, 306340, 306341, 306342, 306414, 306591, 306624, 306626, 306644, 306648, 306652, 306653, 306654, 306657, 306660, 306664, 306667, 306669, 306671, 306675, 306676, 306677, 306678, 306680, 306690, 306696, 307075, 307077, 307078, 307079, 307301, 307302.	62965	Strap - Fuel Tank <b>Note:</b> 69298 Strap - Fuel Tank Includes: 91257 Screw - Machine, Fill. Hd. - 1/4-20 x 1 1/2" 90970 Nut - Sq. - 1/4-20	67072	Washer - Fuel Tank Strap
29876	Rod Assembly - Choke	290418	Bracket - Fuel Tank Used on type No. 306585.	*67307	Gasket - Magneto Plate - .015" thick.
29878	Rope - Starter	89813	Strap - Fuel Tank Used on type Nos. 306652, 306671, 306696. Includes: 91257 Screw - Machine, Fill. Hd. - 1/4-20 x 1 1/2" 90970 Nut - Sq. - 1/4-20	*67527	Gasket - Valve Cover
<b>Note:</b> 290282	Rope - Starter Used on type Nos. 306159, 306193; also type No. 306407 from Serial No. 522677 to 522697 inclusive.	62966	Switch - Stop <b>Note:</b> 62304 Switch - Stop Used on type Nos. 306275, 306305, 306314, 306315, 306317, 306325, 306326, 306327. <b>Note:</b> The following parts used to mount stop switch on type No. 306152: 26373 Spring 22835 Washer 91274 Nut - Hex - 1/4-20 91710 Screw - Machine, Rd. Head - 1/4-20 x 1 1/2"	67549	Valve - Fuel Shut-off
38852	Washer - Armature Governor Shield and Breaker Mounting	63426	Locknut - Control Wire Casing	*67597	Gasket - Magneto Plate - .005" thick
61703	Gear - Cam	63532	Spacer - Flame Arrestor	*67607	Gasket - Magneto Plate - .009" thick
61756	Ring - Piston, Compression, Center - Standard	63770	Ball - Clutch	68122	Plug - Cam Shaft
61757	Ring - Piston, Oil - Standard	63771	Bushing - Starter Sector	*68477	Gasket - Fuel Filter Bowl
61760	Key - Flywheel <b>Note:</b> 21103 Key - Flywheel Used on type Nos. 306702, 306703, 306704, 306705, 306707, 306708, 306709.	63785	Shaft - Cam	68487	Bowl - Fuel Filter
61768	Ring - Piston, Compression, Center - .010" O.S.	63788	Tappet - Valve	68507	Washer - Fuel Shut-off Valve Packing
61769	Ring - Piston, Compression, Center - .020" O.S.	63821	Wrench - Socket Set Screw	†68857	Gasket - Carburetor Body
61770	Ring - Piston, Compression, Center - .030" O.S.	65294	Gasket - Filler Screw	68877	Gasket - Fuel Inlet Valve Seat
61771	Ring - Piston, Oil - .010" O.S.	65304	Gasket - Filler Cap <b>Note:</b> 65534 Gasket - Oil Filler Cap Used on type No. 306519.	†68887	Packing - Needle Valve
61772	Ring - Piston, Oil - .020" O.S.	65704	Plunger - Breaker Point	†68897	Gasket - Carburetor Venturi
61773	Ring - Piston, Oil - .030" O.S.	65968	Disk - Breather	†*68987	Gasket - Carburetor Mounting <b>Note:</b> 27310 Gasket - Carburetor Mounting Used on type Nos. 306531, 306596, 306625.
61947	Housing - Starter Clutch <b>Note:</b> 21100 Housing - Starter Clutch Used on type Nos. 306702, 306703, 306704, 306705, 306707, 306708, 306709, 306713, 306714, 306715, 306717, 306718, 306719, 306722.	66111	Connector - Fuel Pipe	69221	Cap - Fuel Tank <b>Note:</b> 89988 Cap - Fuel Tank Used on type Nos. 306323, 306329, 306331, 306342, 306591, 306626, 306648, 306653, 306654, 306657, 306664, 306667, 306677, 306690, 307301, 307302.
61967	Stop - Throttle Lever	*66114	Washer - Cylinder Mounting	69345	Cap - Oil Filler <b>Note:</b> 291008 Cap Assembly - Oil Filler Used on type Nos. 306704, 306708, 291164 Cap Assembly - Oil Filler Used on type No. 306519.
62536	Cup - Starter Return Spring	66154	Washer - Terminal <b>Note:</b> 66364 Washer - Terminal Used on type Nos. 306268, 306272, 306276, 306327, 306328, 306329, 306331, 306335, 306336, 306337, 306338, 306339, 306340, 306341, 306342, 306414, 306626, 306644, 306648, 306652, 306653, 306654, 306657, 306660, 306664, 306667, 306669, 306671, 306675, 306676, 306677, 306678, 306680, 306690, 306696, 307075, 307077, 307078, 307079, 307302.	69961	Cap - Fuel Tank <b>Note:</b> 29136 Cap - Fuel Tank Used on type Nos. 306652, 306671, 306696.
62538	Washer - Clutch Retainer	66164	Washer - Terminal <b>Note:</b> 66374 Washer - Terminal Used on type Nos. 306268, 306272, 306276, 306327, 306328, 306329, 306331, 306335, 306336, 306337, 306338, 306339, 306340, 306341, 306342, 306414, 306626, 306644, 306648, 306652, 306653, 306654, 306657, 306660, 306664, 306667, 306669, 306671, 306675, 306676, 306677, 306678, 306680, 306690, 306696, 307075, 307077, 307078, 307079, 307302.	89127	Clutch and Pulley Assembly - Starter <b>Note:</b> 89739 Clutch and Pulley Assembly - Starter Used on type Nos. 306336, 306341. 290221 Clutch Assembly - Starter Used on type Nos. 306305, 306312, 306314, 306315, 306317, 306325, 306326, 306327. 292504 Clutch and Pulley Assembly - Starter Used on type Nos. 306337, 306339.
62552	Bushing - Cylinder			89190	Pipe - Fuel - 13" long (used on engines before Serial No. 659059) <b>Note:</b> 89503 Pipe - Fuel - 11 1/2" long Used on type Nos. 306413, 307004. 89663 Pipe - Fuel - 11 1/2" long Used on type No. 307003. 291181 Pipe - Fuel 12 1/16" long Used on type No. 306705. 291266 Pipe - Fuel - 10" long Used on type No. 306168.
62577	Washer - Flywheel <b>Note:</b> 62903 Washer - Flywheel Used on type Nos. 306400, 306401, 306402, 306403, 306404, 306405, 306406, 306407, 306408, 306409, 306410, 306411, 306412, 306413, 306414, 306420, 306421, 306422, 306700, 306701, 306706, 306710, 306711,			89241	Blade - Governor <b>Note:</b> 292194 Blade - Governor Used on type Nos. 306268, 306272, 306328, 306414, 306626, 306648, 306653, 306664, 307075. The following parts are used for ground lead connection: 90051 Screw 90310 Nut 90362 Washer

\* Included in Gasket Set - Part No. 291376.

† Included in Carburetor Overhaul Kit - Part No. 291691.

**"N"****TYPE NUMBERS FROM 306100 TO 307305**

PART NO.	DESCRIPTION	PART NO.	DESCRIPTION	PART NO.	DESCRIPTION
89289	Piston Assembly - Standard			307112, 307113, 307114, 307115.	
89346	Filter Assembly - Fuel (used under Fuel Tank only)			92284 Nut - Hexagon - $\frac{5}{8}$ -18	Used on type No. 306704 Engines equipped with Starter Pulleys.
	<b>Note:</b> 99910 Filter Assembly - Fuel			92514 Nut - Flywheel	Used on type Nos. 306305, 306314.
	Used on type Nos. 306126, 306197, 306255.			91711 Screw - Cylinder Head (1" long)	
	292052 Filter Assembly - Fuel			<b>Note:</b> 63423 Spacer	
	Used on type No. 306254.			91386 Screw - Cylinder Head (2" long)	This screw used on type Nos. 306208, 306253, after Serial No. 1156817.
89347	Cover - Fuel Filter			91162 Screw - Cylinder Head (1 $\frac{1}{2}$ " long)	
	<b>Note:</b> 99909 Cover - Fuel Filter			23978 Spacer	Used on type Nos. 306202, 306322.
	Used on type Nos. 306126, 306197, 306255.			92393 Screw - Cylinder Head	Used on type Nos. 306276, 306335, 306336, 306337, 306339, 306652, 306654, 306657, 306660, 306664, 306667, 306669, 306671, 306675, 306677, 306678, 306690, 306696, 307079, 307302.
	292053 Cover - Fuel Filter			91712 Screw - Cylinder Head (1 $\frac{1}{4}$ " long)	
	Used on type No. 306254.			<b>Note:</b> 91449 Screw - Cylinder Head (1 $\frac{1}{8}$ " long)	Used on engines before Serial No. 729202.
89363	Sector Assembly - Starter			91442 Screw - Cylinder Head (2 $\frac{1}{4}$ " long)	
89365	Starter Assembly - Foot			68873 Spacer	Used to mount bracket and cylinder head on type Nos. 306168, 306173, 307038, 307059, 307103.
	<b>Note:</b> 291230 Starter Assembly - Foot			92395 Screw - Cylinder Head	Used on type Nos. 306276, 306335, 306336, 306337, 306339, 306652, 306654, 306657, 306660, 306664, 306667, 306669, 306671, 306675, 306677, 306678, 306690, 306696, 307079, 307302.
	Used on type Nos. 306305, 306314, 306315, 306317, 306325, 306326, 306327, 306339.			91741 Screw - Pedal Return Spring Cup	
89495	Body Assembly - Upper Carburetor			<b>Note:</b> 92434 Screw - Pedal Return Spring Cup	Used on type Nos. 306335, 306337, 306339.
89600	Starter Assembly - Hand			91758 Screw - Set, Socket Head - $\frac{5}{16}$ -24 x $\frac{1}{2}$ "	
	<b>Note:</b> 290328 Starter Assembly - Hand			<b>Note:</b> 92433 Screw - Set, Socket Head - $\frac{5}{16}$ -24 x $\frac{1}{2}$ "	Used on type Nos. 306336, 306337, 306341.
	Used on type Nos. 306304, 306324.			91796 Screw - Cap, Hex. Hd. - $\frac{5}{16}$ -24 x 1 $\frac{1}{4}$ "	
	292455 Starter Assembly - Hand			<b>Note:</b> 92805 Screw - Cap, Hex. Hd. - $\frac{5}{16}$ -24 x 1 $\frac{1}{4}$ "	Used on type No. 307302.
	Used on type Nos. 306335, 306337, 306340.			91808 Washer - Lock - $\frac{7}{16}$ " x $\frac{5}{32}$ " x $\frac{1}{8}$ "	
89611	Sector Assembly - Starter			91810 Elbow - Exhaust	
	<b>Note:</b> 290331 Sector Assembly - Starter			<b>Note:</b> 91812 Elbow - Exhaust	Used on type Nos. 306117, 306157, 306165, 306211, 306215, 306220, 306278, 306531, 306655, 306703, 306714, 306718, 307005, 307006, 307032, 307045, 307061, 307065, 307069, 307081, 307201.
	Used on type Nos. 306304, 306324.			92554 Nipple - Pipe - $\frac{1}{2}$ " x 3 $\frac{1}{4}$ "	
	Uses: 23756 Pin - Starter Lever			92555 Coupling - Pipe - $\frac{1}{2}$ "	Used on type Nos. 306185, 306276.
89660	Seal - Oil			91811 Locknut - Exhaust Elbow	
89677	Bushing - Cylinder or Magneto			91833 Stud - Dust Cover	
	Includes: 89660 Seal - Oil			91896 Key - No. 5 Standard - Woodruff	
89694	Control Assembly - Choke			91901 Screw - Cap, Hexagon Head - $\frac{7}{16}$ -20 x 1 $\frac{1}{2}$ "	
	<b>Note:</b> 290216 Control Assembly - Choke			91920 Screw - Machine, Fillister Head - 8-32 x $\frac{5}{8}$ "	
	Used on type Nos. 306275, 306305, 306314, 306315, 306317, 306325, 306326, 306327, 306339, 306594.			91984 Pin - Cotter - $\frac{1}{16}$ " x $\frac{1}{2}$ " long	
	291084 Control Assembly - Choke			92015 Plug - Oil Drain (Gear Cover)	
	Used on type Nos. 306704, 306708.			92017 Screw - Machine, Fillister Head - 8-32 x $\frac{5}{16}$ "	
89742	Shield - Spark Plug			92040 Nut - Jam - $\frac{5}{8}$ -18	
	<b>Note:</b> 291630 Shield - Spark Plug			<b>Note:</b> 92802 Nut - Jam - $\frac{5}{8}$ -18	Used on type No. 307302.
	Used on type Nos. 306235, 306265, 306637, 306691.			92054 Nut - Starter Pedal	
89838	Wrench - Spark Plug			92067 Nut - Wing	
89966	Muffler			<b>Note:</b> 22930 Washer	
	<b>Note:</b> 89945 Muffler			90355 Nut - Hexagon - 10-32	
	Used on type Nos. 306159, 306193, 306407, 307017, 307079, 307107.			92290 Washer - Lock - No. 10 x $\frac{1}{16}$ " x $\frac{3}{4}$ "	Used on type Nos. 306705, 306715, 306722.
	290910 Muffler				
	Used on type Nos. 306126, 306197, 306255.				
	292054 Muffler				
	Used on type Nos. 306113, 306114, 306173, 306184, 306214, 306215, 306244, 306269, 306270, 306274, 306277, 306638, 307005, 307050, 307059, 307083.				
89970	Case Assembly - Gear				
89976	Seal - Oil				
90029	Screw - Machine, Round Head - 4-36 x $\frac{1}{4}$ "				
90050	Screw - Machine, Round Head - 6-32 x $\frac{1}{4}$ "				
90074	Screw - Machine, Round Head - 8-32 x $\frac{3}{4}$ "				
90078	Screw - Machine, Round Head - 10-32 x $\frac{5}{16}$ "				
90200	Screw - Machine, Fillister Head - 8-32 x $\frac{1}{2}$ "				
90202	Screw - Machine, Fillister Head - 10-32 x $\frac{1}{2}$ "				
90310	Nut - Hexagon - 6-32				
90355	Nut - Hexagon - 10-32				
90362	Washer - Lock - No. 6 x $\frac{3}{4}$ " x $\frac{1}{32}$ "				
90366	Washer - Lock - $\frac{5}{16}$ " x $\frac{1}{8}$ " x $\frac{1}{16}$ "				
90367	Washer - Lock - No. 8 x $\frac{5}{16}$ " x $\frac{1}{32}$ "				
90369	Washer - Lock - No. 4 x $\frac{3}{4}$ " x $\frac{1}{32}$ "				
90576	Nut - Hex. - 8-32				
90686	Screw - Cap, Hexagon Head - $\frac{3}{8}$ -24 x 1"				
	<b>Note:</b> 92812 Screw - Cap, Hex. Hd. - $\frac{3}{8}$ -24 x 1"				
	Used on type Nos. 306335, 306337, 306340.				
90810	Screw - Cap, Fill. Hd. - $\frac{1}{4}$ -20 x $\frac{3}{4}$ "				
	<b>Note:</b> 92803 Screw - Cap, Fill. Hd. - $\frac{1}{4}$ -20 x $\frac{3}{4}$ "				
	Used on type No. 307302.				
90832	Washer - Lock - $\frac{1}{4}$ " x $\frac{1}{2}$ " x $\frac{5}{16}$ "				
	<b>Note:</b> 92706 Washer - Lock - Shakeproof				
	Used on type Nos. 306268, 306272, 306276, 306327, 306328, 306329, 306331, 306335, 306336, 306337, 306339, 306340, 306341, 306342, 306414, 306626, 306644, 306648, 306652, 306653, 306654, 306657, 306660, 306664, 306667, 306669, 306671, 306675, 306677, 306678, 306680, 306690, 306696, 307075, 307077, 307078, 307079, 307302 to mount blower housing.				
90844	Washer - Lock - $\frac{1}{4}$ " x $\frac{1}{16}$ " x $\frac{1}{16}$ "				
90847	Nut - Hexagon - $\frac{1}{4}$ -28				
	<b>Note:</b> 92129 Nut - Hex. - $\frac{1}{4}$ -28				
	Used on type Nos. 306276, 306335, 306336, 306337, 306339, 306652, 306654, 306657, 306660, 306664, 306667, 306669, 306671, 306675, 306677, 306678, 306690, 306696, 307079, 307302.				
91059	Washer - Lock - No. 12 x $\frac{1}{16}$ " x $\frac{1}{16}$ "				
91084	Plug - Pipe - $\frac{3}{8}$ "				
	<b>Note:</b> 92737 Plug - Oil Drain - $\frac{1}{4}$ "				
	Used on type Nos. 306680, 307075, 307077, 307078.				
	92814 Plug - Oil Drain - $\frac{3}{8}$ " Headless, Slotted				
	Used on type No. 306273.				
91107	Washer - Lock - Shakeproof No. 1210				
91208	Nut - Hexagon - $\frac{5}{16}$ -24				
91237	Washer - Lock - $\frac{1}{4}$ " x $\frac{5}{32}$ " x $\frac{3}{16}$ "				
91324	Washer - $\frac{1}{4}$ " Standard				
91413	Cotter Pin - $\frac{1}{8}$ " x 1" long				
91419	Screw - Cap, Hexagon Head - $\frac{1}{4}$ -20 x $\frac{5}{8}$ "				
91539	Key - $\frac{3}{16}$ " square				
91541	Screw - Cap, Hexagon Head - $\frac{5}{16}$ -24 x $\frac{7}{8}$ "				
91698	Screw - Machine, Rd. Hd. - $\frac{1}{4}$ -20 x $\frac{5}{8}$ "				
	<b>Note:</b> 90916 Screw - Machine, Rd. Hd. - $\frac{1}{4}$ -20 x $\frac{1}{2}$ "				
	Used on engines before Serial No. 1315773.				
	90773 Screw - Machine, Rd. Hd. - $\frac{1}{4}$ -20 x $\frac{3}{4}$ "				
	Used on type Nos. 306268, 306272, 306327, 306328, 306329, 306331, 306414, 306626, 306644, 306648, 306653, 307075, 307077, 307078.				
	92089 Screw - Blower Housing Mounting				
	Used on type Nos. 306276, 306335, 306336, 306337, 306338, 306339, 306340, 306341, 306342, 306652, 306654, 306657, 306660, 306664, 306667, 306669, 306671, 306675, 306676, 306677, 306678, 306690, 306696, 307079, 307302.				
	92419 Screw - Machine, Fillister Head - $\frac{1}{4}$ -20 x $\frac{5}{8}$ "				
	Used on type Nos. 306400, 306402, 306405, 306410, 306413, 306420, 306517, 306537, 306557, 306591, 306626, 306627, 306700, 306706, 306712, 306713, 306720, 307006, 307100, 307102, 307108, 307109, 307112, 307114, 307301.				
	To mount blower housing to head.				
91708	Nut - Flywheel				
	<b>Note:</b> 91900 Nut - Flywheel				
	Used on type Nos. 306400, 306401, 306402, 306403, 306404, 306405, 306406, 306407, 306408, 306409, 306410, 306411, 306412, 306413, 306414, 306420, 306421, 306422, 306700, 306701, 306706, 306710, 306711, 306712, 306716, 306720, 306721, 307100, 307101, 307102, 307103, 307105, 307106, 307107, 307108, 307109, 307110, 307111,				



# TYPE NUMBERS FROM 306100 TO 307305

**"N"**

PART NO.	DESCRIPTION	PART NO.	DESCRIPTION	PART NO.	DESCRIPTION		
92085	Screw - Set, Socket Head - $\frac{5}{16}$ -24 x $\frac{1}{4}$ "	92702	Screw - Condenser Mounting Sem	99180	Tank Assembly - Fuel		
92089	Screw - Machine, Fillister Head - $\frac{1}{4}$ -20 x $\frac{3}{4}$ "	<b>Note:</b> 90367	Washer - Lock - No. 8 x $\frac{5}{16}$ " x $\frac{1}{32}$ "		Used on engines before Serial No. 659059		
<b>Note:</b> 91222	Screw - Machine - Fillister Head - $\frac{1}{4}$ -20 x 1"		Used on earlier model engines.	<b>Note:</b> 99510	Tank Assembly - Fuel (Combination)		
	Used on type Nos. 306531, 306596, 306625.	92703	Screw - Dust Cover Mounting Sem		Used on type Nos. 306200, 306204, 306226,		
92129	Nut - Hexagon - $\frac{1}{4}$ -28	<b>Note:</b> 90367	Washer - Lock - No. 8 x $\frac{5}{16}$ " x $\frac{1}{32}$ "		306316, 306524, 306557, 306597, 306609,		
92208	Screw - Connecting Rod - $\frac{7}{8}$ " long		Used on earlier model engines.		306610, 306614, 306618, 306630, 307024,		
92208	Washer - Lock - Shakeproof No. 1120	92706	Washer - Lock - Shakeproof		307113.		
<b>Note:</b> 92429	Washer - Cylinder Mounting	92708	Screw Armature Mounting Sem		Includes: 67549 Valve - Shut-off		
	Used on type Nos. 306276, 306335, 306336,	<b>Note:</b> 92317	Washer - Lock - Shakeproof No. 1208		69355 Pipe - Fuel		
306337, 306339, 306652, 306654, 306657,			Used on earlier model engines.		99511 Tee		
306660, 306664, 306667, 306669, 306671,		92709	Screw - Breaker Mounting Sem	99272	Clutch Assembly - Starter		
306675, 306677, 306678, 306690, 306696,		<b>Note:</b> 92317	Washer - Lock - Shakeproof No. 1208	<b>Note:</b> 99615	Clutch Assembly - Starter		
307079, 307302.			Used on earlier model engines.		Used on type Nos. 306702, 306703, 306704,		
92287	Screw - Machine, Round Head - 10-32 x $\frac{1}{4}$ "	92710	Screw - Cylinder Mounting - $1\frac{1}{2}$ " lg.		306705, 306707, 306708, 306709, 306713,		
92290	Washer - Lock - No. 10 x $\frac{1}{16}$ " x $\frac{3}{16}$ "	(Washer Head)			306714, 306715, 306717, 306718, 306719,		
92291	Nut - Fuel Shut-off Valve Packing	<b>Note:</b> 92235	Screw - Cylinder Mounting - $1\frac{1}{4}$ " lg.		306722.		
92292	Nut - Hexagon - $\frac{3}{8}$ -24	(Slotted Hd.)		99288	Cable - Ignition		
<b>Note:</b> 92495	Nut - Hex. - $\frac{3}{8}$ -24	Used on engines before Serial No. 1249802.		<b>Note:</b> 69854	Cable - Ignition		
	Used on type Nos. 306335, 306337, 306340.	92724	Screw - Cylinder Mounting		Used on type Nos. 306275, 306312, 306315.		
92306	Screw - Cap, Hexagon Head - $\frac{1}{4}$ -28 x $\frac{5}{8}$ "	Used on type Nos. 306276, 306335, 306336,		99391	Cable - Ignition		
92317	Washer - Lock - Shakeproof No. 1208	306337, 306339, 306652, 306654, 306657,			Used on type Nos. 306147, 306222, 306314,		
92413	Pin - Cotter - $\frac{1}{16}$ " x $\frac{3}{8}$ " long	306660, 306664, 306667, 306669, 306671,			306511, 306516, 306520, 306521, 306522,		
92419	Screw - Machine, Fillister Head - $\frac{1}{4}$ -20 x $\frac{5}{8}$ "	306675, 306677, 306678, 306690, 306696,			306525, 306528, 306534, 306558, 306573,		
<b>Note:</b> 90916	Screw - Machine, Rd. Hd. - $\frac{1}{4}$ -20 x $\frac{1}{2}$ "	307079, 307302.			306574, 306578, 306581, 306584, 306586,		
	Used on type Nos. 306126, 306167, 306197,	92715	Screw - Governor Housing Mounting and		306593, 306595, 306596, 306608, 306617,		
306305, 306314, 306317, 306594.		Control Lever Sem			306625, 306629, 306630, 306637, 306639,		
92427	Connector - Fuel Pipe	92716	Screw - Cylinder Mounting (Washer Hd.)		306642, 306643, 306645, 306649, 306651,		
<b>Note:</b> 53029	Connector - Fuel Pipe	<b>Note:</b> 92236	Screw - Cylinder Mounting		306662, 306668, 306679, 306682, 306685,		
	Used on type No. 306126.		Used on engines before Serial No. 1249802.		306691, 306702, 307018.		
66111	Connector - Fuel Pipe	92606	Screw - Cap, Hexagon Head - $\frac{1}{4}$ -28 x $1\frac{1}{8}$ "		290401	Cable - Ignition	
	Used on type No. 306254.	90832	Washer - Lock - $\frac{1}{4}$ " x $\frac{3}{32}$ " x $\frac{5}{16}$ "			Used on type Nos. 306213, 306317, 306319,	
92506	Screw - Machine, Round Head - 6-32 x 1"		Used on type No. 306519.			306323, 306324, 306325, 306326, 306591,	
92530	Screw - Machine, Fillister Head - 8-32 x $\frac{1}{4}$ " - Drilled Head		To mount cylinder to base.			306624, 307301.	
92532	Screw - Machine, Fillister Head - 8-32 x $\frac{3}{8}$ " - Drilled Head	92725	Screw - Cylinder Mounting			292044	Cable - Ignition
92604	Screw - Connecting Rod - 1" long		Used on type Nos. 306276, 306335, 306336,				Used on type Nos. 306268, 306272, 306276,
92605	Screw - Oil Filler		306337, 306339, 306652, 306654, 306657,				306327, 306328, 306329, 306331, 306335,
92612	Washer - Lock - Shakeproof No. 1228		306660, 306664, 306667, 306669, 306671,				306336, 306337, 306338, 306339, 306414,
<b>Note:</b> 92801	Washer - Lock		306675, 306677, 306678, 306690, 306696,				306626, 306644, 306648, 306652, 306653,
	Used on type No. 307302.		307079, 307302.				306654, 306657, 306660, 306664, 306667,
92617	Plug - Breather	92734	Screw - Cap, Hex. Hd. - $\frac{1}{4}$ -20 x $\frac{1}{2}$ "				306669, 306671, 306675, 306676, 306677,
<b>Note:</b> 92820	Plug - Breather	<b>Note:</b> 91422	Screw - Cap, Hex. Hd. - $\frac{1}{4}$ -20 x $\frac{5}{8}$ "				306678, 306680, 306696, 307075, 307077,
	Used on type No. 307079.		Used to mount the choke control to air cleaner				307078, 307079, 307302.
92644	Rivet - Tubular - $\frac{1}{8}$ " x $\frac{3}{16}$ "		elbow on type Nos. 306275, 306305, 306314,				Includes: 92707
<b>Note:</b> 37346	Rivet - Tubular - $\frac{1}{8}$ " x $\frac{7}{32}$ "		306315, 306317, 306325, 306326, 306327, 306594.				Terminal - Shielding
62641	Plate - Speed Adjuster Retainer	92739	Screw - Self-Tapping, Hex. Hd. - 10-32 x $\frac{1}{2}$ "				292946
	Used on engines before Serial No. 656724.	<b>Note:</b> 90083	Screw - Machine, Rd. Hd. - 10-32 x $\frac{5}{8}$ "				Cable - Ignition
92646	Pin - Cotter - $\frac{1}{8}$ " x $1\frac{1}{2}$ "		90321				Used on type Nos. 306235, 306256, 306265.
92663	Screw - Starter Mounting		Nut - Square - 10-32				293169
92664	Nut - Starter Mounting		91406				Cable - Ignition
92665	Screw - Cap, Hex. Hd. - $\frac{5}{16}$ -24 x $1\frac{1}{4}$ "		Screw - Machine, Rd. Hd. - 10-32 x $\frac{7}{8}$ "				Used on type Nos. 306340, 306341, 306342.
<b>Note:</b> 92804	Screw - Cap, Hex. Hd. - $\frac{5}{16}$ -24 x $1\frac{1}{4}$ "		92290				99307
	Used on type No. 307302.		Washer - Lock - No. 10 x $\frac{1}{16}$ " x $\frac{3}{16}$ "				Starter Assembly - Foot
92666	Screw - Cap, Hex. Hd. - $\frac{1}{4}$ -20 x $\frac{1}{2}$ "		Used to mount one gallon tank on engines				99339
<b>Note:</b> 92734	Screw - Blower Housing Mounting		before Serial No. 1226676.				Starter Assembly - Hand
	Used on type Nos. 306276, 306335, 306336,		92744				<b>Note:</b> 89352
306337, 306339, 306652, 306654, 306657,			Screw - Self-Tapping, Hex. Hd. - 10-32 x 1"				Starter Assembly - Hand
306660, 306664, 306667, 306669, 306671,			Used on type No. 306678.				Used on type No. 306414.
306675, 306677, 306678, 306690, 306696,			92747				99395
307079, 307302.			Screw - Gear Case Cover Mounting Sem				Arrestor - Flame
92670	Screw - Self-Tapping, Hex. Hd. - 10-32 x $\frac{3}{4}$ "		<b>Note:</b> 92818				99622
92678	Screw - Set, Socket Hd. - 6-32 x $\frac{5}{16}$ "		Screw - Gear Case Cover Mounting Sem				Float - Carburetor
92701	Screw - Magneto Mounting Sem		Used on type No. 307079.				99632
<b>Note:</b> 92723	Screw - Magneto Mounting Sem						Tooth Assembly - Spring
	Used on type Nos. 306276, 306335, 306336,						99634
306337, 306339, 306652, 306654, 306657,							Body - Upper Carburetor
306660, 306664, 306667, 306669, 306671,							†99636
306675, 306677, 306678, 306690, 306696,							Valve and Seat - Fuel Inlet
307079, 307302.							99665
							Yoke - Fuel Filter
							99679
							Lever Assembly - Choke
							<b>Note:</b> 291040
							Lever Assembly - Automatic Choke
							Used on type Nos. 306531, 306596, 306625,
							306649, 306651, 306668.
							99700
							Shaft and Lever - Choke
							<b>Note:</b> 23252
							Shaft - Choke
							Used on type Nos. 306126, 306197, 306255,
							306275, 306305, 306312, 306314, 306315,
							306317, 306325, 306326, 306327, 306339,
							306529, 306548, 306594, 306702, 306703,
							306704, 306705, 306707, 306708, 306714,
							306715, 306717, 306718, 306722.
							291039
							Shaft, Lever, and Vane Assembly -
							Automatic Choke
							Used on type Nos. 306531, 306596, 306625,
							306649, 306651, 306668.

†Included in Carburetor Overhaul Kit - Part No. 291691.

"N"

# TYPE NUMBERS FROM 306100 TO 307305

PART NO.	DESCRIPTION	PART NO.	DESCRIPTION	PART NO.	DESCRIPTION
99714	Filter Assembly - Fuel Used at carburetor only	290062	Control Assembly - Throttle <b>Note:</b> 290463 Control Assembly - Throttle Used on type Nos. 306594, 306624, 306631, 306660, 306678, 307057.	89465	Cylinder Assembly Used on type Nos. 306114, 306225, 306230, 306239, 306243, 306265, 306277.
99764	Support Assembly - Foot Pedal	291079	Control Assembly Throttle Used on type Nos. 306704, 306708.	290500	Cylinder Assembly Used on type Nos. 306185, 306267, 306268, 306272, 306276, 306314, 306317, 306319, 306323, 306325, 306326, 306327, 306328, 306329, 306331, 306335, 306336, 306337, 306338, 306339, 306340, 306341, 306342, 306414.
99793	Tube Assembly - Control Casing	291634	Control Assembly - Throttle Used on type Nos. 306705, 306715.	291189	Cylinder Assembly Used on type Nos. 306215, 306312.
99858	Sector Assembly - Starter	290141	Control Assembly - Governor	290763	Magneto Assembly <b>Note:</b> 290527 Magneto Assembly Used on type No. 306323. Includes: 292042 Wire - Ground
99860	Starter Assembly - Kick	290166	Gear - Governor	290703	Magneto Assembly For Mechanical Governor on type Nos. 306529, 306531, 306703, 306705, 306707, 306709, 306713, 306714, 306715, 306717, 306718, 306719, 306722. Includes: 22530 Glide - Air 292042 Wire - Ground
99865	Support Assembly - Foot Starter	290239	Cylinder Assembly <b>Note:</b> This group of cylinders including part No. 290239 used on "NP" engines only.	290764	Magneto Assembly Used on type Nos. 306101, 306120, 306121, 306137, 306138, 306150, 306151, 306157, 306163, 306179, 306185, 306247, 306249, 306259, 306264, 306302, 306304, 306305, 303306, 306313, 306406, 306408, 306412, 306533, 306545, 306546, 306547, 306548, 306551, 306583, 306689, 306712, 306716, 307021. Includes: 291637 Wire - Ground
99868	Shaft and Lever Assembly - Throttle	89913	Cylinder Assembly Used on type Nos. 306526, 306530, 306582, 306632, 306661, 306672. Includes: 91648 Screw - Cap, Hex Hd. - 5/16"-24 x 1/2" 91865 Washer - Lock	290766	Magneto Assembly Used on type Nos. 306526, 306530, 306582, 306632, 306661, 306672.
99874	Adjuster - Speed	290257	Cylinder Assembly Used on type Nos. 306547, 306627, 306650, 306716.	290767	Magneto Assembly Used on type Nos. 306147, 306222, 306516, 306521, 306525, 306608, 306629, 306639, 307018. Includes: 292042 Wire - Ground
99876	Carburetor Assembly <b>Note:</b> 89507 Carburetor Assembly Used on type Nos. 306275, 306305, 306312, 306314, 306315, 306317, 306325, 306326, 306327, 306339, 306529, 306548, 306594, 306702, 306703, 306704, 306705, 306707, 306708, 306714, 306715, 306717, 306718, 306722.	290498	Cylinder Assembly Used on type Nos. 306644, 306651, 306676.	290768	Magneto Assembly Used on type No. 306314. Includes: 290281 Wire - Ground
	291024 Carburetor Assembly Used on type Nos. 306531, 306596, 306625, 306649, 306651, 306668,	290501	Cylinder Assembly Used on type Nos. 306560, 306591, 306624, 306626, 306648, 306652, 306653, 306654, 306660, 306664, 306669, 306675, 306677, 306678, 306680, 306690.	290769	Magneto Assembly For Mechanical Governor on type Nos. 306511, 306520, 306522, 306528, 306534, 306558, 306573, 306574, 306578, 306581, 306584, 306586, 306593, 306595, 306596, 306617, 306625, 306630, 306637, 306642, 306643, 306645, 306649, 306651, 306662, 306668, 306679, 306682, 306685, 306691, 306702. Includes: 22530 Guide - Air 292042 Wire - Ground
	291059 Carburetor Assembly Used on type Nos. 306126, 306197, 306255.	290971	Cylinder Assembly Used on type No. 306519.	290770	Magneto Assembly Used on type Nos. 306684, 307045, 307065, 307069. Includes: 292042 Wire - Ground
	292116 Carburetor Assembly Used on type Nos. 306262, 306641, 306643, 306646, 306647, 306656, 306659, 306662, 306665, 306674, 306679, 306681, 306694, 307070.	291037	Cylinder Assembly Used on type Nos. 306531, 306573, 306574, 306617, 306655, 306684.	290777	Magneto Assembly For Mechanical Governor on type Nos. 306125, 306126, 306127, 306152, 306153, 306162, 306166, 306169, 306182, 306191, 306195, 306197, 306198, 306210, 306242, 306263, 306303, 306308, 306309, 306405, 306510, 306512, 306524, 306536, 306541, 306579, 306706, Includes: 22530 Guide - Air
99879	Cover - Fuel Filter	292256	Cylinder Used on type Nos. 306657, 306667, 306671, 306696. Includes: 91648 Screw - Cap, Hex. Hd. 5/16"-24 x 1/2" 91865 Washer - Lock	290795	Magneto Assembly Used on type Nos. 306213, 306317, 306319, 306324, 306325, 306326, 306591, 306624, 307301. Includes: 292042 Wire - Ground
99869	Lever - Foot Starter	290257	Cylinder Assembly <b>Note:</b> These cylinders used on "NPR" engines only.		
210028	Body - Breather	290504	Cylinder Assembly Used on type Nos. 307034, 307075, 307077, 307078, 307079, 307301, 307302.		
220093	Retainer - Spring	290281	Wire - Ground - 37" long <b>Note:</b> 291637 Wire - Ground - 73" long Used on type No. 307045.		
220106	Cover - Cylinder Head	292151	Wire - Ground Used on type Nos. 306268, 306276, 306327, 306328, 306335, 306338, 306414.		
220111	Housing - Blower Used on engines after Serial No. 1092451; before Serial No. 1092452 use part No. 22889. <b>Note:</b> 291781 Housing - Blower Used on type Nos. 306168, 306173, 306327, 306339, 306518, 306531, 306544, 306580, 306585, 306702, 306703, 306705, 306707, 306709, 306714, 306715, 306717, 306719, after Serial No. 1092451; before Serial No. 1092452 use part No. 291042.	292512	Wire - Ground Used on type Nos. 306337, 306340.		
	291046 Housing - Blower Used on type Nos. 306704, 306708.	292575	Wire - Ground Used on type No. 306339.		
	291794 Housing - Blower (For Retrievable Starter) Used on type No. 306278.	290290	Ring Set - Standard Piston		
	292200 Housing - Blower Used on type Nos. 306652, 306671, 306690, 306696.	290291	Ring Set - .010" O.S. Piston		
220137	Screen - Blower Housing Used only on engines with a retrievable starter.	290292	Ring Set - .030" O.S. Piston		
220234	Lock - Gear Case Mounting Screw	290414	Pulley - "V" Belt - 2" Dia.		
220547	Pulley - Rope Starter <b>Note:</b> 22323 Pulley - Rope Starter Used on type No. 306407 from Serial No. 522677 to 522697 inclusive.	290465	Pump Assembly - Fuel <b>Note:</b> 291238 Pump Assembly - Fuel Used on type No. 306312.		
	29743 Pulley Assembly Used on type No. 306572.	290568	Lever Assembly - Control		
220865	Washer - Spring Used to lock starter clutch	290584	Base - Control Lever		
†230005	Valve - Needle <b>Note:</b> 292088 Valve - Needle Used on type Nos. 306262, 306641, 306643, 306646, 306647, 306656, 306659, 306662, 306665, 306674, 306679, 306681, 306694, 307070.	290596	Ring Set - .020" O.S. Piston		
	230010 Wrench - Socket Screw	290622	Diaphragm - Fuel Pump		
	230228 Pin - Starter Grip	290623	Valve - Fuel Pump		
	290014 Cover Assembly - Gear	290642	Lever - Control		
	290015 Shaft Assembly - Drive	290738	Cylinder Assembly <b>Note:</b> This group of cylinders including part No. 290738 used on "N" engines only. (For NP Engines see part No. 290239; for NPR engines see part No. 290257.)		
	290017 Crank - Governor				

† Included in Carburetor Overhaul Kit - Part No. 291691.

# TYPE NUMBERS FROM 306100 TO 307305

**"N"**

PART NO.	DESCRIPTION	PART NO.	DESCRIPTION	PART NO.	DESCRIPTION	
291023	Magneto Assembly Used on type Nos. 306704, 306708. Includes: 22530 Guide - Air 22868 Spring - Contact 27308 Insulator - Contact Spring 29055 Wire - Ground	306329, 306414, 306626, 306644, 306648, 306653, 306664, 307075.	290802	Shaft Assembly - Drive <b>Note:</b> 291764 Shaft Assembly - Drive Used on type No. 307201.	<b>Note:</b> 291579 Tank Assembly - Fuel Used on type Nos. 306323, 306329, 306331, 306342, 306591, 306626, 306648, 306653, 306654, 306657, 306664, 306667, 306677, 306690, 307301, 307302.	
291240	Magneto Assembly Used on type Nos. 306275, 306312, 306315. Includes: 292042 Wire - Ground	290938	Base Assembly - Engine <b>Note:</b> 290941 Base Assembly - Engine Used on type Nos. 306400, 306401, 306403, 306405, 306406, 306407, 306408, 306409, 306410, 306411, 306412, 306414, 306420, 306421, 306422, 306700, 306701, 306706, 306710, 306711, 306712, 306716, 306720, 306721, 307100, 307101, 307105, 307106, 307107, 307109, 307110, 307111, 307112, 307113, 307114, 307115.	291844	Tank Assembly - Fuel Used on type No. 306628.	
292045	Magneto Assembly Used on type Nos. 306268, 306272, 306328, 306414, 306626, 306648, 306653, 306664, 307075. Includes: 292042 Wire - Ground 292190 Brush Assembly - Flywheel Grounding Uses: 292155 Brush 90050 Screw (Brush Lead) 92181 Washer - Lock (Brush Lead) 90923 Screw - (For Mounting Brush Assembly)	290943	Base Assembly - Engine Used on type Nos. 306402, 306404, 306413, 306702, 306703, 306705, 306707, 306709, 306713, 306714, 306715, 306717, 306718, 306719, 306722, 307102, 307103, 307108.	291288	Pipe - Fuel - 8 $\frac{3}{8}$ " long Used on engines after Serial No. 659058 <b>Note:</b> 65849 Pipe - Fuel - 12" long Used on type No. 306204. 65859 Pipe - Fuel - 15" long Used on type Nos. 306190, 306191, 306218, 306239, 306240, 306241, 306242, 306244, 306246, 306252, 306253, 306254, 306570, 306571, 307027, 307028, 307040, 307043, 307059, 307063, 307064, 307071.	
292204	Magneto Assembly Used on type Nos. 306235, 306265.	290946	Base Assembly - Engine Used on type Nos. 306108, 306114, 306127, 306132, 306133, 306134, 306135, 306141, 306157, 306165, 306172, 306175, 306176, 306178, 306199, 306203, 306208, 306210, 306211, 306215, 306217, 306224, 306225, 306229, 306230, 306232, 306239, 306240, 306241, 306242, 306243, 306245, 306247, 306250, 306253, 306264, 306265, 306273, 306274, 306277, 306322, 306529, 306531, 306542, 306548, 306624, 306655, 306660, 306678, 306693, 307003, 307004, 307005, 307006, 307008, 307026, 307029, 307033, 307038, 307043, 307045, 307052, 307058, 307059, 307061, 307063, 307064, 307065, 307069, 307081, 307082, 307201.	65919	Pipe - Fuel - 18" long Used on type No. 306278.	
292207	Magneto Assembly Used on type Nos. 306329, 306331, 306644. Includes: 292042 Wire - Ground 292190 Brush Assembly - Flywheel Grounding Uses: 292155 Brush 90050 Screw (Brush Lead) 92181 Washer - Lock (Brush Lead) 90923 Screw (For Mounting Brush Assembly)	290963	Rod Assembly - Connecting	69355	Pipe - Fuel - 10" long Used on type Nos. 306173, 306714.	
292255	Magneto Assembly Used on type Nos. 306657, 306667, 306671, 306696. Includes: 292042 Wire - Ground	290980	Pin Assembly - Piston - Standard	69500	Pipe - Fuel - 14" long Used on type Nos. 307045, 307069.	
292289	Magneto Assembly Used on type No. 306256.	290981	Pin Assembly - Piston - .005" O.S.	89226	Pipe - Fuel - 11 $\frac{1}{2}$ " long Used on type Nos. 306200, 306223, 306226, 306316, 306524, 306557, 306597, 306609, 306610, 306614, 306618, 306630, 307024, 307113.	
292361	Magneto Assembly Used on type Nos. 306276, 306327, 306335, 306336, 306337, 306338, 306339, 306652, 306654, 306660, 306669, 306675, 306677, 306678, 306680, 306690, 307077, 307078, 307079, 307302. Includes: 292042 Wire - Ground	291015	Housing and Pulley Assembly - Starter Clutch <b>Note:</b> 21517 Housing and Pulley - Clutch Used on type Nos. 306336, 306341. 210169 Housing and Pulley - Clutch Used on type No. 306337. 291017 Housing - Starter Clutch Used on type Nos. 306305, 306312, 306314, 306315, 306317, 306325, 306326, 306327, 306339. 291018 Housing and Pulley Assembly - Starter Clutch Used on type No. 306304.	291636	Pipe - Fuel - 13 $\frac{1}{2}$ " long Used on type No. 306572. The following Fuel Pipes and Connection used with No. 291844 Tank - Fuel (Combination) on type No. 306628: 67759 Tee 291845 Pipe - Fuel - 9" long 291846 Pipe - Fuel - 7 $\frac{7}{8}$ " long The following Fuel Pipes and Connections used on type Nos. 306262, 306641, 306643, 306646, 306647, 306656, 306659, 306662, 306665, 306674, 306679, 306681, 306694, 307070. 69716 Pipe - Fuel - 2 $\frac{1}{16}$ " long 290848 Pipe - Fuel - 12 $\frac{3}{4}$ " long 92713 Coupling 99511 Tee 292486 Wing Plug, Chain and Clip Assembly	
290779	Case Assembly - Gear	<b>Note:</b> 210177 Housing and Pulley - Clutch Used on type No. 306337.	290963	Rod Assembly - Connecting	*291301	Gasket - Cylinder Head ( $\frac{1}{16}$ " thick) <b>Note:</b> Two 291301 Cylinder Head Gaskets are used on type Nos. 306200, 306204, 306226, 306262, 306316, 306524, 306557, 306597, 306609, 306610, 306614, 306618, 306628, 306630, 306641, 306643, 306646, 306647, 306656, 306659, 306662, 306665, 306674, 306679, 306680, 306694, 307024, 307070, 307113.
290792	Plate - Magneto <b>Note:</b> 290351 Plate - Magneto Used on type Nos. 306526, 306530, 306582, 306632, 306657, 306661, 306667, 306671, 306672, 306696.	291043	Thermostat Assembly	*67537	Gasket - Cylinder Head ( $\frac{1}{16}$ " thick) Used on engines before Serial No. 729202; also used with all cylinder heads having seven fins.	
290869	Plate - Magneto Used on type Nos. 306101, 306120, 306121, 306137, 306138, 306150, 306151, 306157, 306163, 306179, 306185, 306249, 306259, 306264, 306302, 306304, 306305, 306306, 306313, 306406, 306408, 306412, 306533, 306545, 306546, 306547, 306548, 306550, 306583, 306689, 306712, 306716, 307021.	291044	Lever Assembly - Thermostat	291376	Gasket Set	
292197	Plate - Magneto Used on type Nos. 306268, 306272, 306328.	291047	Lock Assembly - Ignition Includes: 22867 Retainer - Lock	291379	Head Assembly - Cylinder <b>Note:</b> 210022 Head - Cylinder Used on type Nos. 306200, 306204, 306226, 306262, 306268, 306272, 306276, 306316, 306327, 306328, 306329, 306331, 306335, 306336, 306337, 306338, 306339, 306340, 306341, 306342, 306414, 306524, 306557, 306597, 306609, 306610, 306614, 306618, 306626, 306628, 306630, 306641, 306643, 306644, 306646, 306647, 306648, 306652, 306653, 306654, 306656, 306657, 306659, 306660, 306662, 306664, 306665, 306667, 306669, 306671, 306674, 306675, 306676, 306677, 306678, 306680, 306681, 306690,	

\* Included in Gasket Set - Part No. 291376.

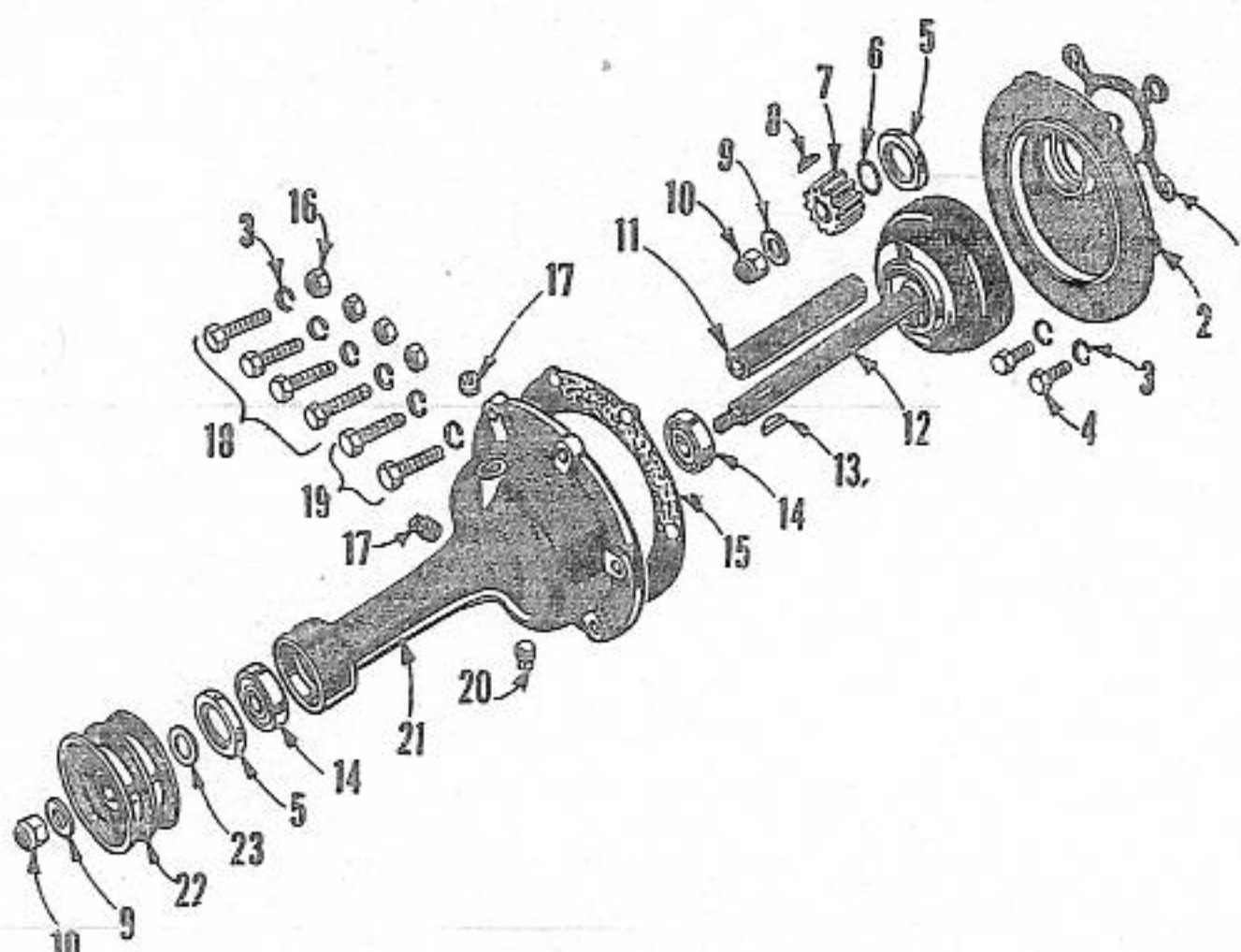
PART NO.	DESCRIPTION	PART NO.	DESCRIPTION	PART NO.	DESCRIPTION	
306694, 306696, 307024, 307070, 307075, 307077, 307078, 307079, 307113, 307302.		291941	Pipe - Fuel - 16" long Used on type No. 306265.		before Serial No. 1092452 use part No. 89447.	
291411	Head Assembly - Cylinder Used on type Nos. 306531, 306558, 306574, 306578, 306586, 306595, 306596, 306625, 306637, 306642, 306649, 306651, 306668, 306679, 306691.	291495	Clutch Assembly - Starter (Use Part No. 293578)		<b>Note:</b> 89447 Housing - Blower Used on type No. 306635.	
291391	Housing - Starter	291617	Armature - Magneto <b>Note:</b> 292184 Armature - Magneto Used on type Nos. 306256, 306268, 306272, 306276, 306327, 306328, 306329, 306331, 306335, 306336, 306337, 306338, 306339, 306340, 306341, 306342, 306414, 306626, 306644, 306648, 306652, 306653, 306654, 306657, 306660, 306664, 306667, 306669, 306671, 306675, 306676, 306677, 306678, 306680, 306690, 306696, 307075, 307077, 307078, 307079, 307302.		291786 Housing - Blower Used on type Nos. 306213, 306268, 306328, 306335, 306337, 306338, 306340, 306414, 306511, 306520, 306528, 306558, 306573, 306574, 306578, 306581, 306584, 306586, 306593, 306595, 306596, 306624, 306639, 306644, 306649, 306651, 306660, 306662, 306669, 306675, 306676, 306678, 306685, after Serial No. 1092451; before Serial No. 1092452 use part No. 290231.	
291420	Tank Assembly - Fuel (one gallon) <b>*Note:</b> 29034 Tank Assembly - Fuel (one gallon) Used on type Nos. 306104, 306126, 306144, 306148, 306155, 306159, 306163, 306176, 306177, 306185, 306307, 306313, 306407, 306511, 306512, 306518, 306520, 306526, 306528, 306536, 306544, 306550, 306558, 306569, 306594, 306703, 306704, 306707, 306708, 307019, 307023.	291691	Carburetor Overhaul Kit		291933 Housing - Blower (For Retrievable Starter) Used on type No. 306265.	
	92656	291730	Cover Assembly - Gear Case		292200 Housing - Blower Used on type Nos. 306652, 306671, 306690, 306696.	
	290354	291783	Housing - Blower Used on engines after Serial No. 1092451; before Serial No. 1092452 use part No. 89386. <b>Note:</b> 291791 Housing - Blower Used on type Nos. 306147, 306222, 306272, 306276, 306323, 306329, 306331, 306336, 306341, 306342, 306516, 306521, 306522, 306525, 306534, 306591, 306608, 306617, 306625, 306626, 306629, 306630, 306642, 306643, 306645, 306648, 306653, 306654, 306657, 306664, 306667, 306668, 306677, 306679, 306680, 306682, 307018, 307075, 307077, 307078, 307079, 307301, 307302 after Serial No. 1092451; before Serial No. 1092452 use part No. 290167.		292719 Housing - Blower Used on type Nos. 306637, 306691.	
	291421		291796		291838	Cleaner Assembly - Air <b>Note:</b> 89376 Cleaner Assembly - Air Used on type Nos. 306172, 306402, 306413. 89980 Cleaner Assembly - Air Used on type Nos. 306626, 306654, 306657, 306664, 306667, 306677, 306690, 307302. 290452 Cleaner Assembly - Air Used on type Nos. 306537, 306591, 306626, 307301.
			291829		291849	Starter Assembly - Retrievable
					291905	Breather Assembly
					291907	Control - Throttle <b>Note:</b> 292328 Control - Throttle Used on type Nos. 306257, 306670.
					292046	Spring - Starter
					292136	Control Assembly - Governor
					292271	Ratchet - Retrievable Starter
					292272	Pulley - Retrievable Starter
					292681	Valve Assembly - Carburetor Idle
					293432	Screen Assembly - Rotating

GEAR REDUCTION ON ENGINES MODEL NP, TYPE NO. 306627

Used on Sears Roebuck Craftsman "21" Power Mower  
Made by Yard-Man, Inc., Jackson, Michigan

The gear reduction, illustrated below, used on the subject lawn mowers is not made by Briggs and Stratton Corporation.

If any of these gear reduction parts are needed, they should be ordered by part number either from Sears Roebuck and Co., or from Yard-Man Inc., Jackson, Michigan.



Drawing Ref. No.	Part No.	Description	Shipping Weight
			lbs. ozs.
1	1023	Speed Reducer Base Gasket	1
2	1622	Speed Reducer Base	1
3	1025	Lockwasher	1
4	1024	Speed Reducer Base Cap Screw	1
5	1040	Speed Reducer Oil Seal	2
6	1007	Spur Gear Inner Washer	1
7	1006	Motor Shaft Spur Gear	5
8	1009	Spur Gear Key	1
9	1008	Spur Gear Outer Washer	1
10	1038	Speed Reducer Shaft Lock Nut	1
11	1041	Speed Reducer Bearing Spacer	4
12	1033	Speed Reducer Gear and Shaft Assembly	2
13	1109	Gear Shaft Key	1
14	3	Speed Reducer Bearing	3
15	1628	Speed Reducer Housing Gasket	1
16	1031	Speed Reducer Cap Screw Nut	1
17	1027	Speed Reducer Pipe Plug	1
18	1030	Speed Reducer Cap Screw, Short	1
19	1029	Speed Reducer Cap Screw, Long	1
20	1035	Speed Reducer Drain Plug	1
21	1626	Speed Reducer Housing	2 8
22	1039	Speed Reducer Gear Shaft Pulley	1
23	1143	Speed Reducer Pulley Gasket	1
24	1060	Wheel Bearing	3
25	1004	Wheel Dust Washer	1
26	1067	Axle Dust Ring	1
27	67	Cross Handle Nut	1