

"NS"

Parts List
(ILLUSTRATED)

MODELS

"NS"—"NSPR-1.6"—"NSPR-6"

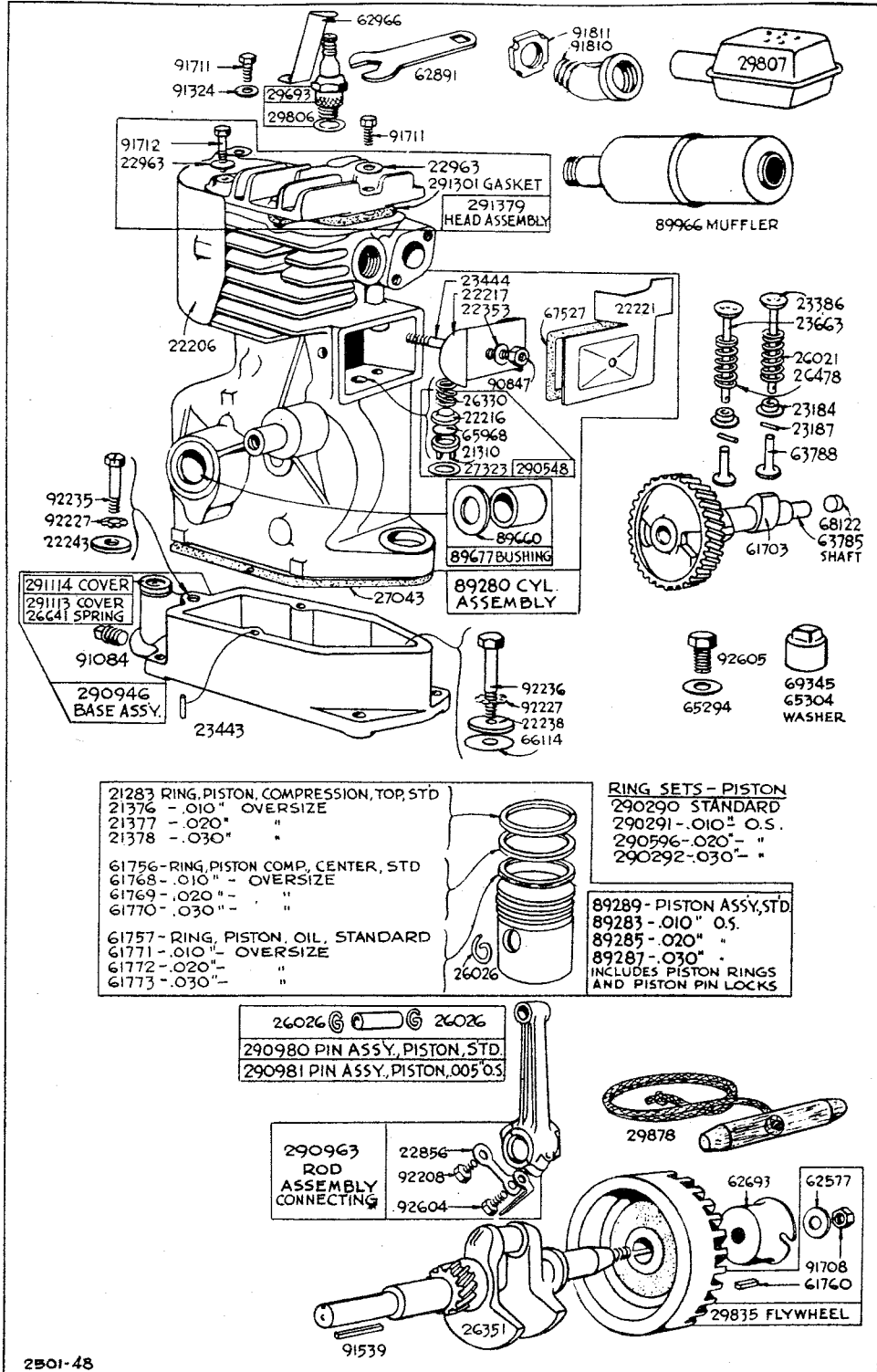
•
NOTICE

**FILE IN SECTION 2 OF YOUR ENGINE
SERVICE MANUAL.**

**REMOVE AND DESTROY PRESENT
MODEL 'NS' PARTS LIST (Form MS-3029)
FROM SECTION 2 OF MANUAL.**



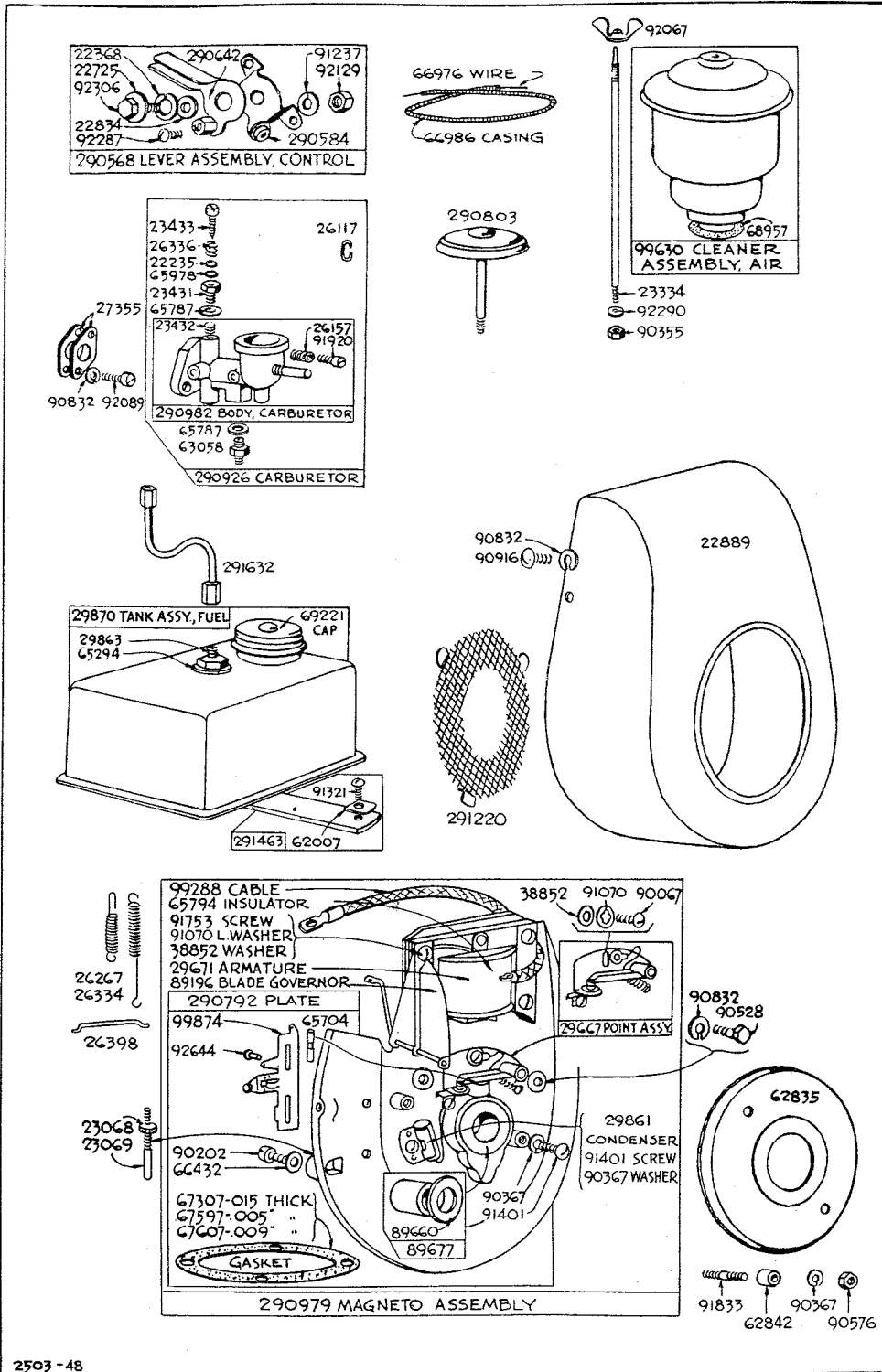
PARTS SECTION



CYLINDER, BASE, PISTON, CONNECTING ROD, CRANKSHAFT AND FLYWHEEL PARTS — PLATE NO. 22
Assemblies include all parts shown in frames

pg 2 - blank

PARTS SECTION

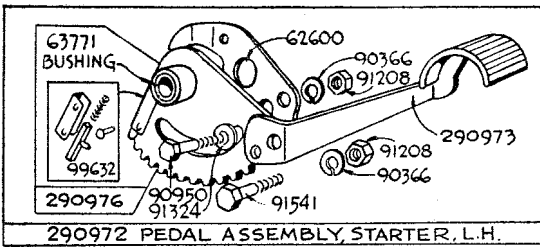
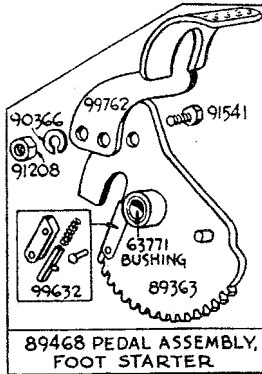
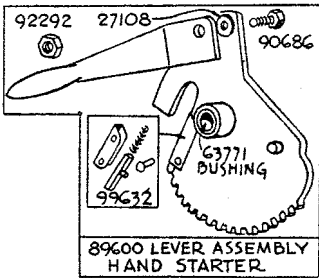
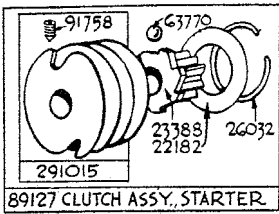


2503 - 48

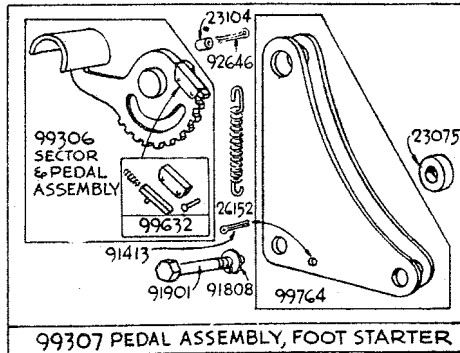
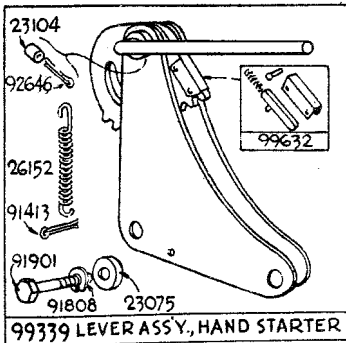
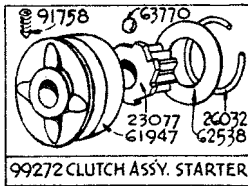
FUEL SYSTEM, BLOWER CASE AND MAGNETO PARTS — PLATE NO. 23
Assemblies include all parts shown in frames

PARTS SECTION

POWER TAKE-OFF SIDE STARTER PARTS



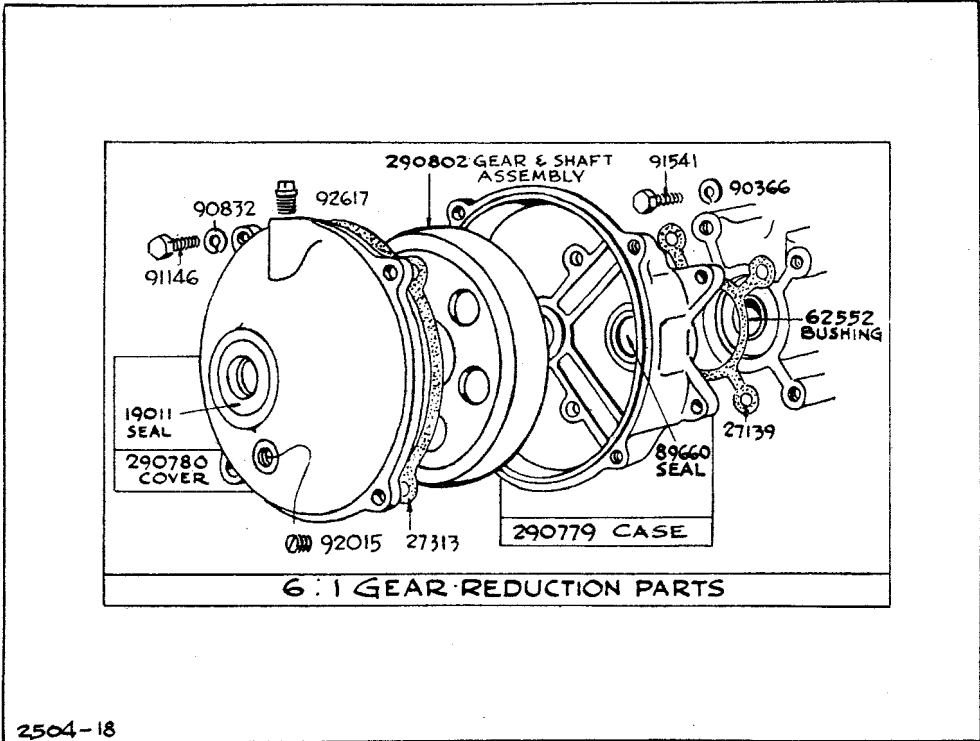
MAGNETO SIDE STARTER PARTS



2502-77

STARTER PARTS — PLATE NO. 24
Assemblies include all parts shown in frames

PARTS SECTION



GEAR REDUCTION PARTS — PLATE NO. 25
Assemblies include all parts shown in frames.

PARTS SECTION

NUMERICAL PARTS LIST

MASTER PART NO.	NAME	SHIPPING
		WEIGHT Lbs. Oz.
19011	Seal—Oil	2
21283	Ring—Piston, Compression, Top—Standard.....	1
21310	Body—Breather	1
21376	Ring—Piston, Compression, Top—.010" O.S.....	1
21377	Ring—Piston, Compression, Top—.020" O.S.....	1
21378	Ring—Piston, Compression, Top—.030" O.S.....	1
21453	Lever—Hand Starter	1
22182	Washer—Clutch Retainer	1
	Note: No. 62538 Washer—Clutch Retainer.....	1
	Used on type Nos. 305305, 305311, 305312.	
22206	Shield—Cylinder	6
22216	Cover—Breather	1
22217	Shield—Oil Spray	1
22221	Cover—Valve	6
22235	Washer—Needle Valve	1
22238	Washer—Cylinder Mounting	1
22243	Washer—Cylinder Mounting	1
*22353	Washer—Valve Cover	1
22368	Washer—Control Lever	1
22725	Washer—Control Lever	1
22834	Washer—Spacer	1
22854	Bracket—Fuel Tank	10
22856	Lock—Connecting Rod Screw.....	1
22889	Housing—Blower	2
22963	Washer—Cylinder Head	1
23068	Nut—Speed Adjusting	1
23069	Screw—Speed Adjusting	1
23075	Spacer—Foot Pedal Support.....	1
23077	Pinion—Starter	4
23104	Spacer—Foot Pedal Support.....	1
23184	Retainer—Valve Spring	1
23187	Pin—Valve Spring Retainer.....	1
23334	Stud—Air Cleaner	2
23386	Valve—Intake	2
23388	Pinion—Starter	4
	Note: No. 63794 Pinion—Starter.....	4
	Used on type Nos. 305305, 305311, 305312.	
23431	Nut—Needle Valve	1
23432	Seat—Needle Valve	1
23433	Valve—Needle	1
23443	Pin—Dowel	1
23444	Stud—Valve Cover	1
23663	Valve—Exhaust	2
26021	Spring—Intake Valve	1
26025	Spring—Pedal Return	1
26026	Lock—Piston Pin	1
26032	Spring—Clutch Retainer	1
26117	Link—Governor Spring	1
26152	Spring—Pedal and Lever Return.....	1
26157	Spring—Throttle Adjusting	1
26267	Spring—Control Wire Return.....	1
26330	Spring—Breather Retainer	1
26334	Spring—Governor	1
26336	Spring—Needle Valve	1
26351	Crankshaft	3
	Note: No. 26316 Crankshaft.....	3
	Used on type Nos. 305104, 305113, 305300, 305301, 305303, 305304, 305306, 305307, 305310, 305315, 305316.	

(See next page)

* Included in Gasket Set — Part No. 291376.

PARTS SECTION

MASTER PART NO.	NAME	SHIPPING WEIGHT Lbs. Oz.
-----------------	------	--------------------------

	No. 26378 Crankshaft.....	3
	Used on type Nos. 305400, 305401, 305403, 305404, 305405, 305406.	
	No. 26596 Crankshaft.....	3
	Used on type Nos. 305700, 305704, 305705.	
	No. 26620 Crankshaft.....	3
	Used on type Nos. 305800, 305801, 305805, 305806.	
	No. 26628 Crankshaft.....	3
	Used on type Nos. 305106, 305114, 305305, 305311, 305312.	
	No. 26672 Crankshaft	3
	Used on type No. 305112.	
	No. 26673 Crankshaft.....	3
	Used on type No. 305402.	
26398	Link—Throttle	1
26478	Spring—Exhaust Valve	1
26641	Spring—Oil Hole Cover.....	1
*27043	Gasket—Engine Base	1
27105	Washer—Starter Lever	1
27139	Gasket—Gear Case Mounting.....	1
27313	Gasket—Gear Case Cover.....	1
27323	Gasket—Breather Body	1
*27355	Gasket—Carburetor Mounting	1
29667	Point Assembly—Contact	2
29671	Armature—Magneto	2
29693	Plug—Spark—with Gasket	3
29806	Gasket—Spark Plug	1
29807	Muffler	6
	<i>Note:</i> Exhaust tubing not included; furnished by washing machine manufacturer.	
29835	Flywheel—Magneto	6
29861	Condenser	2
29863	Outlet Assembly—Fuel Tank.....	2
29870	Tank Assembly—Fuel	1 8
29878	Rope—Starter	6
38852	Washer—Armature	1
61703	Gear—Cam	1 8
61756	Ring—Piston, Compression, Center—Standard.....	1
61757	Ring—Piston, Oil—Standard	1
61760	Key—Flywheel	1
61768	Ring—Piston, Compression, Center—.010" O.S.....	1
61769	Ring—Piston, Compression, Center—.020" O.S.....	1
61770	Ring—Piston, Compression, Center—.030 O.S.....	1
61771	Ring—Piston, Oil—.010" O.S.....	1
61772	Ring—Piston, Oil—.020" O.S.....	1
61773	Ring—Piston, Oil—.030 O.S.....	1
61947	Housing—Starter Clutch	10
62007	Clamp—Fuel Tank	1
62536	Cup—Starter Return Spring.....	1
62538	Washer—Clutch Retainer	1
62552	Bushing—Cylinder	2
62577	Washer—Flywheel	1
	<i>Note:</i> No. 62903 Washer—Flywheel.....	1
	Used on type Nos. 305400, 305401, 305402, 305403, 305404, 305405, 305406, 305800, 305801, 305805, 305806.	
62600	Stop—Starter Pedal	6
62693	Pulley—Rope Starter	6
62835	Cover—Dust	4
62842	Spacer—Dust Cover	1

* Included in Gasket Set — Part No. 291376.

PARTS SECTION

MASTER PART NO.	NAME	SHIPPING WEIGHT Lbs. Oz.
62891	Wrench—Spark Plug	4
62969	Switch—Stop	2
63058	Connector—Fuel Pipe	1
63426	Locknut—Control Wire Casing.....	1
63770	Ball—Clutch	1
63771	Bushing—Starter Sector	1
63785	Shaft—Cam	3
63788	Tappet—Valve	1
65294	Washer—Fuel Tank Outlet and Filler Screw.....	1
65304	Washer—Filler Cap	1
65704	Plunger—Contact Point	1
65787	Gasket—Fuel Pipe Connector.....	1
65794	Insulator—Armature	1
65968	Disk—Breather	1
65978	Packing—Needle Valve	1
*66114	Washer—Cylinder Mounting	1
66432	Washer—Speed Adjuster Retainer.....	1
66976	Wire—Control—53" long	3
	<i>Note:</i> If a longer wire is needed, specify length in inches; if a shorter wire is needed order No. 66976 and cut to required length.	
66986	Casing—Control Wire—48" long.....	8
	<i>Note:</i> If a longer casing is needed, specify length in inches; if a shorter casing is needed order No. 66986 and cut to required length.	
*67307	Gasket—Magneto Plate—.015" thick	1
*67527	Gasket—Valve Cover	1
*67597	Gasket—Magneto Plate—.005" thick	1
*67607	Gasket—Magneto Plate—.009" thick	1
68122	Plug—Cam Shaft	1
*68957	Gasket—Air Cleaner Mounting	1
69221	Cap—Fuel Tank	2
69346	Cap—Oil Filler	2
89127	Clutch and Pulley Assembly—Starter.....	1
	<i>Note:</i> No. 29741 Clutch and Pulley Assembly—Starter.....	1
	Used on type Nos. 305305, 305311, 305312.	
89196	Blade Assembly—Governor	2
89250	Cylinder Assembly	14
	<i>Note:</i> No. 89975 Cylinder Assembly.....	14
	Used on type Nos. 305700, 305704, 305705, 305800, 305801, 305805, 305806.	
89283	Piston Assembly—.010" O.S.....	8
89285	Piston Assembly—.020" O.S.....	8
89287	Piston Assembly—.030" O.S.....	8
89289	Piston Assembly—Standard	8
89363	Sector Assembly—Starter	14
89468	Pedal Assembly—Foot Starter.....	3
89600	Lever Assembly—Hand Starter.....	3
89611	Sector Assembly—Starter	14
89660	Seal—Oil	1
89677	Bushing—Crankshaft or Magneto.....	3
	Includes: No. 89660 Seal—Oil.	
89966	Muffler	8
90067	Screw—Machine, Round Hd.—8-32x $\frac{1}{4}$ ".....	1
90202	Screw—Machine, Fill. Hd.—10-32x $\frac{1}{2}$ ".....	1
90355	Nut—Hex.—10-32	1
90366	Lockwasher— $\frac{1}{4}$ x $\frac{1}{2}$ x $\frac{1}{8}$ "	1
90367	Lockwasher—No. 8x5/64x $\frac{1}{2}$ "	1
90528	Screw—Magneto Mounting	1

* Included in Gasket Set — Part No. 291376.

PARTS SECTION

MASTER PART NO.	NAME	SHIPPING WEIGHT Lbs. Oz.
90576	Nut—Hex.—8-32	1
90686	Screw—Cap, Hex. Hd.— $\frac{3}{8}$ -24x1"	1
90832	Lockwasher— $\frac{1}{4}$ x $\frac{1}{2}$ x $\frac{5}{64}$ "	1
90847	Nut—Hex.— $\frac{1}{4}$ -28	1
90916	Screw—Machine, Round Hd.— $\frac{1}{4}$ -20x $\frac{1}{2}$ "	1
00950	Screw—Cap, Hex. Hd.— $\frac{3}{8}$ -24x $\frac{3}{4}$ "	1
91070	Lockwasher—Shakeproof No. 1208	1
91084	Plug—Pipe— $\frac{3}{8}$ "	1
91146	Screw—Cap, Hex. Hd.— $\frac{1}{4}$ -20x $\frac{7}{8}$ "	1
91208	Nut—Hex.— $\frac{3}{8}$ -24	1
91237	Lockwasher— $\frac{1}{4}$ x $\frac{1}{2}$ x $\frac{3}{64}$ "	1
91321	Screw—Machine, Round Hd.— $\frac{1}{4}$ -20x $\frac{3}{8}$ "	1
91324	Washer— $\frac{1}{4}$ " Standard	1
	Used to mount cylinder shield to cast iron cylinder heads.	
91401	Screw—Machine, Fill. Hd.—8-32x $\frac{1}{4}$ "	1
91413	Cotter Pin— $\frac{1}{8}$ x1" long	1
91539	Key—Crankshaft	1
91541	Screw—Cap, Hex. Hd.— $\frac{3}{8}$ -24x $\frac{7}{8}$ "	1
91708	Nut—Flywheel	1
	<i>Note:</i> No. 91900 Nut—Flywheel	1
	Used on type Nos. 305400, 305401, 305402, 305403, 305404, 305405, 305406, 305800, 305801, 305805, 305806.	
91711	Screw—Cylinder Head (short)	1
91712	Screw—Cylinder Head (long)	1
	<i>Note:</i> No. 91449 Screw—Cylinder Head	1
	Used with cast iron cylinder heads.	
	No. 91442 Screw—Cylinder Head	1
	No. 68873 Spacer—Cylinder Head	1
	Used on type Nos. 305113, 305304 to mount bracket and cylinder head.	
91741	Screw—Pedal Return Spring Cup	1
91753	Screw—Machine, Fill. Hd.—8-32 x 1"	1
91758	Screw—Set, Socket Hd.— $\frac{3}{8}$ -24x $\frac{1}{2}$ "	1
91808	Lockwasher— $\frac{7}{8}$ x $\frac{1}{2}$ x $\frac{1}{8}$ "	1
91810	Elbow—Exhaust	3
91811	Locknut—Muffler Elbow	2
91833	Stud—Dust Cover	1
91901	Screw—Cap, Hex. Hd.— $\frac{7}{8}$ -20x1 $\frac{1}{2}$ "	1
91920	Screw—Machine, Fill. Hd.—8-32x $\frac{5}{8}$ "	1
92015	Plug—Oil Drain (Gear Cover)	1
92067	Nut—Wing	1
92089	Screw—Machine, Fill. Hd.— $\frac{1}{4}$ -20x $\frac{3}{4}$ "	1
92129	Nut—Hex.— $\frac{1}{4}$ -28	1
92208	Screw—Connecting Rod	1
92227	Lockwasher—Shakeproof No. 112 ⁰	1
92235	Screw—Cylinder Mounting	1
92236	Screw—Cylinder Mounting	1
92287	Screw—Machine, Round Hd.—10-32x $\frac{1}{4}$ "	1
92290	Lockwasher—No. 10x $\frac{1}{8}$ x $\frac{3}{64}$ "	1
92292	Nut—Hex.— $\frac{3}{8}$ -24	1
92306	Screw—Cap, Hex. Hd.— $\frac{1}{4}$ -28x $\frac{5}{8}$ "	1
92604	Screw—Connecting Rod	1
92605	Screw—Oil Filler	1
92617	Plug—Breather	2
92644	Rivet—Tubular— $\frac{1}{2}$ x $\frac{1}{8}$ "	1
	<i>Note:</i> 92324 Rivet—Tubular $\frac{1}{8}$ x $\frac{1}{8}$ "	1
	62641 Plate—Speed Adjuster Retainer	2
	Used on engines before Serial No. 656724.	
92646	Pin—Cotter— $\frac{1}{8}$ x1 $\frac{1}{2}$ "	1

PARTS SECTION

MASTER PART NO.	NAME	SHIPPING WEIGHT	
		Lbs.	Oz.
99272	Clutch Assembly—Starter	1	
99288	Cable—Ignition		2
99306	Sector and Pedal Assembly—Foot Starter.....	1	
99307	Pedal Assembly—Foot Starter.....	3	
99330	Lever Assembly—Hand Starter.....	3	
99630	Cleaner Assembly—Air	1	
99632	Tooth Assembly—Spring		1
99762	Pedal—Foot Starter	1	
99764	Support Assembly—Foot Pedal.....	1	8
99874	Adjuster—Speed		1
290290	Ring Set—Standard Piston		3
290291	Ring Set—.010" O.S. Piston		3
290292	Ring Set—.030" O.S. Piston		3
290548	Breather Assembly		2
290568	Lever Assembly—Control		4
290584	Base—Control Lever		2
290596	Ring Set—.020" O.S. Piston		3
290642	Lever—Control		2
290779	Case Assembly—Gear	1	8
290780	Cover Assembly—Gear Case.....	1	4
290792	Plate—Magneto	2	
	Note: No. 290869 Plate—Magneto.....	2	
	Used on type Nos. 305103, 305107, 305108.		
290802	Gear and Shaft Assembly.....	3	8
290803	Cover—Carburetor		4
290926	Carburetor Assembly		10
290946	Base Assembly—Engine	6	
	Note: No. 290943 Base Assembly—Engine.....	6	
	Used on type Nos. 305400, 305401, 305402, 305403, 305404, 305405, 305406, 305800, 305801.		
290963	Rod Assembly—Connecting		12
290972	Pedal Assembly—Starter—L. H.....	3	
290973	Pedal—Starter	1	
290976	Sector Assembly—Starter	1	8
290979	Magneto Assembly	6	
	Note: No. 291199 Magneto Assembly.....	6	
	Used on type Nos. 305103, 305107, 305108.		
	Includes: No. 66155 Wire—Ground.....		1
290980	Pin Assembly—Piston—Standard		2
290981	Pin Assembly—Piston—.005" O.S.....		2
290982	Body Assembly—Carburetor		8
291015	Housing and Pulley—Starter Clutch.....		10
	Note: No. 61700 Housing and Pulley—Starter Clutch.....	1	
	Used on type Nos. 305305, 305311, 305312.		
291113	Cover—Oil Hole		2
291114	Cover Assembly—Oil Hole.....		2
291220	Screen—Blower Housing		2
	Note: No. 291430 Screen—Blower Housing (Full Screen)....		2
	Used on engines without starters on magneto side.		
*291301	Gasket—Cylinder Head ($\frac{1}{8}$ " thick)		1
	*Note: No. 67537 Gasket—Cylinder Head ($\frac{1}{32}$ " thick)		1
	Used on engines before Serial No. 736586.		
291376	Gasket Set		4
291379	Head Assembly—Cylinder	1	8
291632	Pipe—Fuel—7 $\frac{1}{2}$ " long		4
	Note: No. 291395 Pipe—Fuel—17" long		6
	Used on type Nos. 305110, 305311, 305312.		
291463	Bracket—Fuel Tank		1

* Included in Gasket Set — Part No. 291376.